

ILLUSTRATED ROTAX PARTS CATALOGUE 2026

125 DD2 MAX EVO

MODELS:

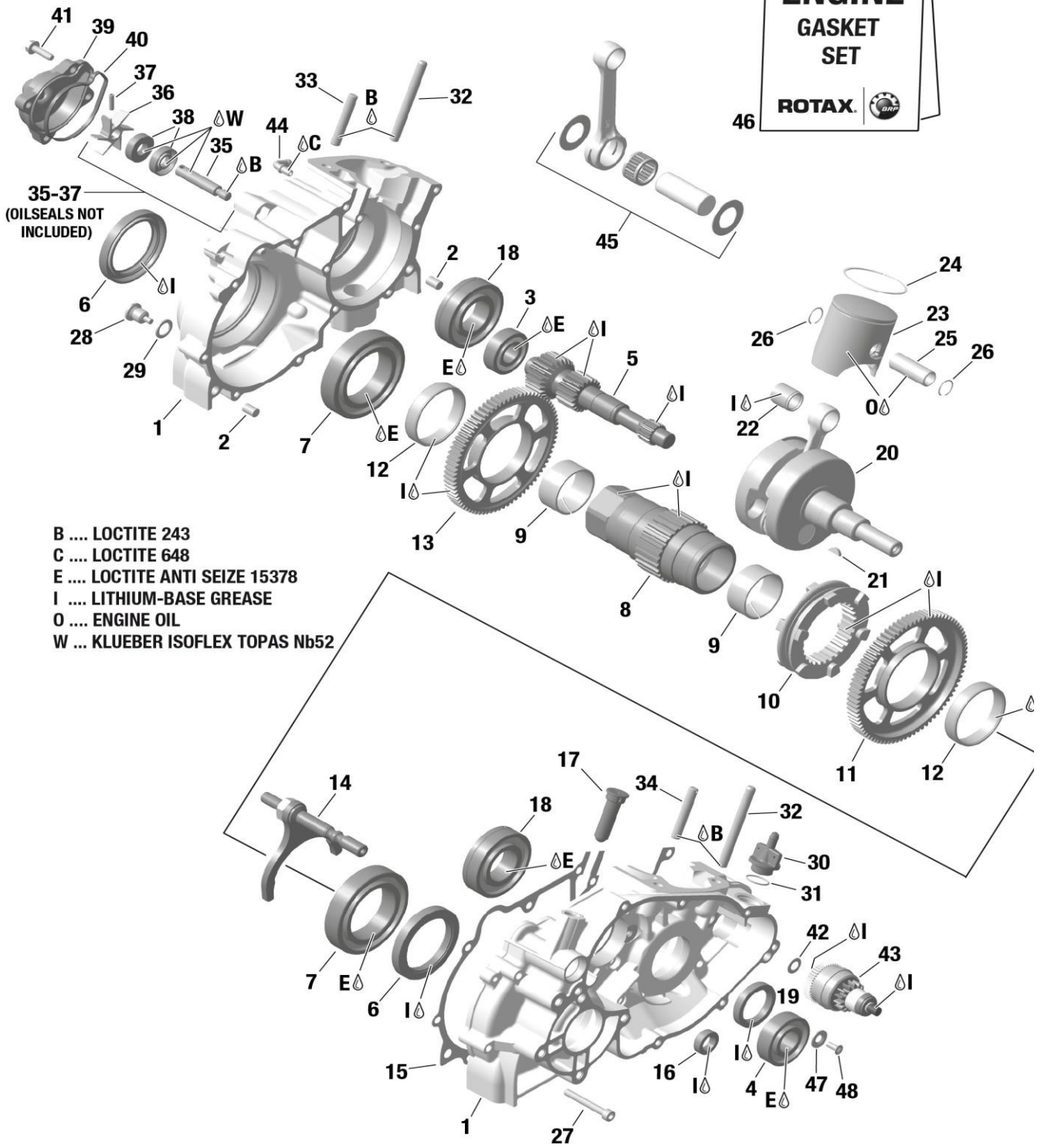
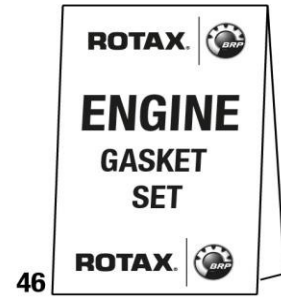


ROTAX

SSC
SPORTSTIL·CUP

DESCRIPTION	PAGE
1 CRANKCASE, DRIVETRAIN, GEARBOX	1
2 CYLINDER	5
3 E-RAVE SYSTEM	9
4 CENTRIFUGAL CLUTCH, PRIMARY BALANCE DRIVE	13
5 SHIFTING MECHANISM, TRANSMISSION	17
6 ELECTRONIC COMPONENTS	21
7 BATTERY, BATTERY CHARGER	25
8 WIRING HARNESS	27
9 CARBURETTOR, CARBURETTOR ACCESSORIES	29
10 RADIATOR, RADIATOR ACCESSORIES	33
11 INTAKE SILENCER, AIR FILTER	35
12 EXHAUST SYSTEM	37
13 EVO UPGRADE KIT IGNITION	39
14 EVO UPGRADE KIT E-EXHAUST VALVE	41
15 REPAIR TOOLS	43
16 SCRUTINEERING TOOLS	45
17 REAR TIRE PROTECTION SYSTEM	47
18 ACCESSORIES	49
19 SERVICE PRODUCTS	51

1 CRANKCASE, DRIVETRAIN, GEARBOX



- B LOCTITE 243
- C LOCTITE 648
- E LOCTITE ANTI SEIZE 15378
- I LITHIUM-BASE GREASE
- O ENGINE OIL
- W ... KLUEBER ISOFLEX TOPAS Nb52

1 CRANKCASE, DRIVETRAIN, GEARBOX

ITEM#	PART#	DESCRIPTION		
01	684236	CRANK CASE ASSY.	581,76	709,75
02	632010	PIN 8X12 DIN 5402	1,51	1,84
03	932030	BALL BEARING 6203 C3. 17-40-12	7,56	9,22
04	932434	BALL BEARING 6204 - E - TVH C3	9,29	11,34
05	620182	PRIMARY SHAFT 24/19 T	88,31	107,73
06	630500	OIL SEAL ASL 50X68X8 NBR	6,11	7,45
07	432330	B. BEARING 6010 C3 50-80-16	18,69	22,80
08	620164	HOLLOW SHAFT	81,49	99,41
09	233120	PLAIN BEARING 40X44X20	9,97	12,16
10	257362	SHIFTING SLEEVE	92,90	113,33
11	635703	IDLE GEAR 81 T	86,08	105,01
12	632666	NEEDLE BEARING K 52X57X12	20,59	25,12
13	635713	IDLE GEAR 77 T	86,08	105,01
14	257406	SHIFT FORK ASSY.	59,52	72,62
15	630522	GASKET	6,94	8,47
16	250455	OIL SEAL 12X22X7	4,44	5,42
17	257422	SHIFT RAIL DETENT PIN	6,85	8,36
18	832583	BALL BEARING 6206 TVH C4M 30-62-16	19,17	23,39
19	930695	OIL-SEAL AS 30X42X7/7.5 NBR	8,56	10,45
20	685097	CRANKSHAFT ASSY.	0,00	0,00
21	246015	WOODRUFF KEY 3X5	1,32	1,61
22	932027	NEEDLE CAGE K 15X19X20	22,22	27,11
23	295513	PISTON ASSY. 53.96 MM	95,17	116,11
23	295514	PISTON ASSY. 53.97 MM	95,17	116,11
23	295515	PISTON ASSY. 53.98 MM	95,17	116,11
23	295512	PISTON ASSY. 53.95 MM	95,17	116,11
23	295509	PISTON ASSY. 53.92 MM	95,17	116,11

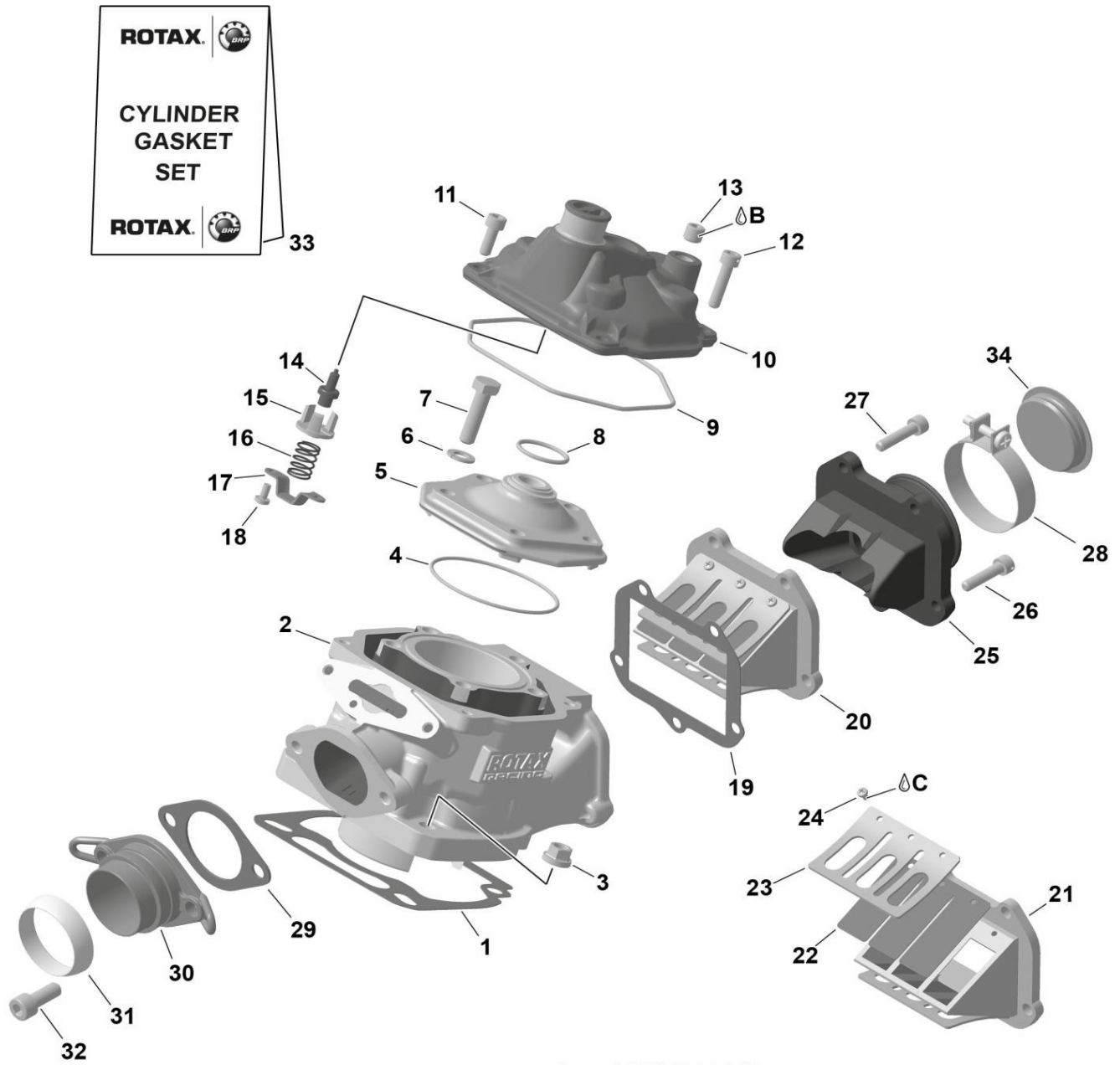
1 CRANKCASE, DRIVETRAIN, GEARBOX

ITEM#	PART#	DESCRIPTION		
23	295510	PISTON ASSY. 53.93 MM	95,17	116,11
23	295511	PISTON ASSY. 53.94 MM	95,17	116,11
24	215548	RECTANGULAR RING IS2-54/49.4X1	34,85	42,51
25	216135	PISTON PIN 15X10/12.5X45.6	14,24	17,37
26	945635	CIRCLIP 15	0,70	0,85
27	241823	ALLEN SCREW ISO 4762 - M6x45 - 8.8	0,59	0,71
28	241780	MAGNETIC DRAIN PLUG M12X1.5	9,50	11,59
29	250640	SEALING RING A 12X18-CU DIN 7603	0,81	0,99
30	241925	AIR VENT SCREW M18X1.5	2,41	2,94
31	250890	O-RING DIN 3771-17X1.5-N	1,19	1,46
32	940787	STUD M8X57/20	2,85	3,47
33	241382	STUD M8X28/20	2,17	2,65
34	241387	STUD M8X28/20	2,62	3,20
35		WATERPUMP SHAFT		
35	620275	WATERPUMP SHAFT ASSY.	19,90	24,28
36		IMPELLER		
37	229200	DOWEL 4X16	2,28	2,79
38	230195	OIL SEAL A 10X26X7 NBR	4,91	5,99
39	222720	WATER PUMP HOUSING	24,70	30,13
40	630770	RUBBER RING 61.5X1.5X3.5	2,23	2,72
41	941251	TAPTITE-SCREW M6X20	0,73	0,89
42	227945	THRUST WASHER 8.5/15/0.5	0,81	0,99
43	294812	STARTER REDUCTION GEAR ASSY.	117,68	143,57
44	924802	IMPULSE FITTING	2,85	3,47
45	685011	CRANKSHAFT REPAIR KIT	237,96	290,31
46	296162	GASKET SET ASSY.	66,88	81,60

1 CRANKCASE, DRIVETRAIN, GEARBOX

ITEM#	PART#	DESCRIPTION		
47	227280	THRUST WASHER	3,29	4,01
48	640891	TORX-COUNTERS. SCREW ISO 14581- M5X12-8.8 Recommended bearing fixation	#N/V	#N/V

2 CYLINDER



B LOCTITE 243
C LOCTITE 648

2 CYLINDER

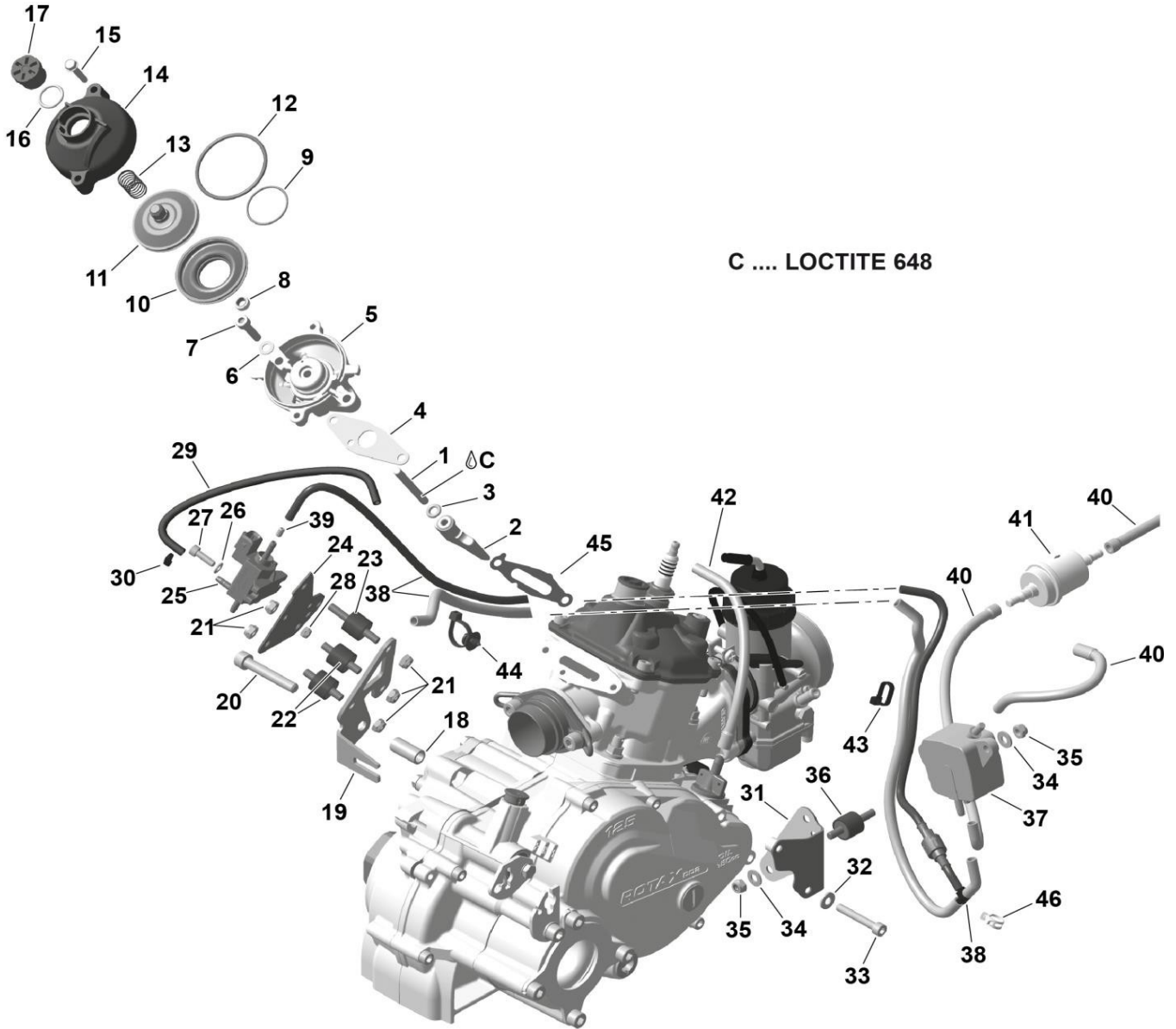
ITEM#	PART#	DESCRIPTION		
01	650480	GASKET 0.3 MM	3,25	3,97
01	431337	GASKET 0.2 MM	3,25	3,97
01	650481	GASKET 0.5 MM	3,25	3,97
01	650483	GASKET 0.4 MM	3,25	3,97
01	650482	GASKET 0.8 MM	3,25	3,97
02	613932	CYLINDER NI SI C PLATED	550,80	671,98
02	613934	CYLINDER NI SI C PLATED	535,28	653,04
03	242707	COLLAR NUT M8	3,00	3,66
04	250160	O-RING DIN 3771-64X2-N. FPM 75	3,29	4,01
05	223386	COMBUSTION CHAMBER INSERT	#N/V	#N/V
06	945832	LOCK WASHER DIN 128-A8-FST	0,11	0,14
07	940487	HEX.SCREW ISO 4017 - M8X30 - 10.9	0,77	0,93
08	430782	O-RING DIN 3771-23.3X2.4-N. MVQ 60	2,41	2,94
09	250280	O-RING DIN 3771-105X2.5-N. NBR 70	3,09	3,78
10	613104	CYLINDER HEAD COVER RED	79,08	96,48
11	241237	ALLEN SCREW ISO 4762 - M6x16 - 8.8	0,57	0,70
12	641361	ALLEN SCREW M6X25	2,59	3,16
13	641323	PLUG SCREW M10X1 DIN 906 - MK	2,42	2,95
14	222125	THERMOSTAT. 45 DEGR.	11,38	13,88
15	222175	THERMOSTAT HOLDER	4,79	5,85
16	239950	COMPRESSION SPRING	2,67	3,25
17	222202	THERMOSTAT RETAINING BRACKET	4,74	5,78
18	240196	TAPTITE-SCREW M4X8	0,98	1,19
19	250523	GASKET	2,84	3,46
20	224380	REED VALVE ASSY.	71,90	87,72
20	224389	REED VALVE ASSY.	39,56	48,27
21		REED VALVE		
22	224431	REED PETAL	11,12	13,56

2 CYLINDER

ITEM#	PART#	DESCRIPTION		
23		REED PEDAL STOP		
24	240351	OVAL HEAD SCREW M3X6 DIN 7985	0,10	0,12
24	241035	TORX-TR-SCREW 3X6 - VIBRALOK	0,21	0,26
25	267411	INTAKE SOCKET	50,57	61,69
26	641361	ALLEN SCREW M6X25	2,59	3,16
27	840866	ALLEN SCREW ISO 4762 - M6x25 - 8.8	0,42	0,51
28	251850	HOSE CLAMP 51	2,54	3,10
29	250271	GASKET	3,29	4,01
30	273190	EXHAUST SOCKET	22,93	27,98
31	450360	EXHAUST GASKET	11,41	13,92
32	240072	ALLEN SCREW ISO 4762 - M8x20 - 8.8	0,45	0,55
33	296161	GASKET SET ASSY. CYLINDER	31,81	38,81
34	860891	DISK PLUG	1,29	1,58

This page intentionally left blank

3 E-RAVE SYSTEM



3 E-RAVE SYSTEM

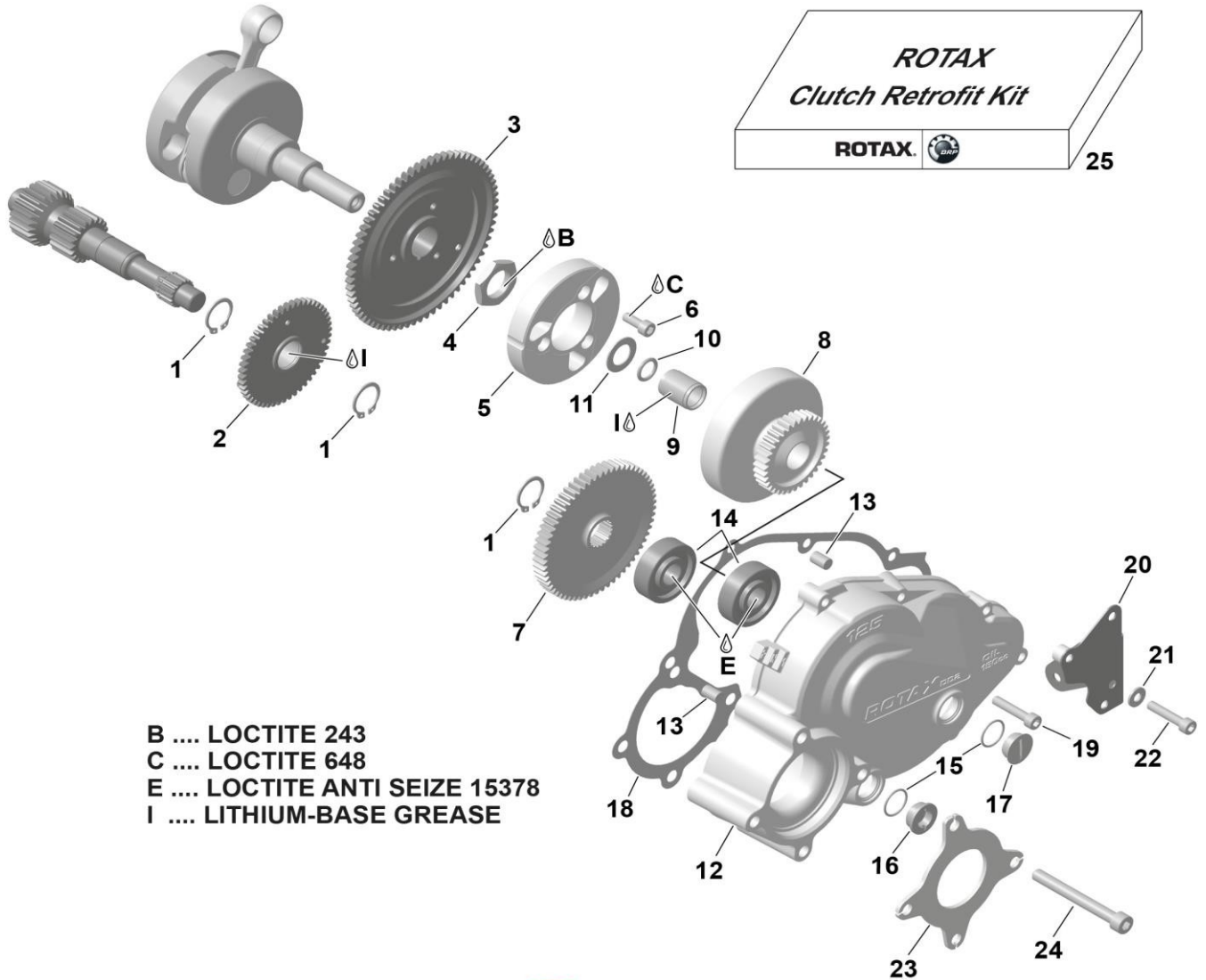
ITEM#	PART#	DESCRIPTION		
01	441358	STUD M6X52.5 MK	5,02	6,12
02	253721	EXHAUST VALVE	28,56	34,84
02	253725	EXHAUST VALVE	27,65	33,73
03	230261	O-RING DIN 3771-6X2.5 NBR 70 RED	1,73	2,11
04	250232	GASKET	2,84	3,46
05	253385	VALVE ROD HOUSING KPL.	47,79	58,30
06	845020	SPRING WASHER B6	0,11	0,14
07	840866	ALLEN SCREW ISO 4762 - M6x25 - 8.8	0,42	0,51
08	930500	OIL SEAL 6X11X3/4.5	4,11	5,01
09	838255	HOSE SPRING 70-1.7-0.3	1,56	1,91
10	260723	BELLOW	13,65	16,65
11	854440	EXHAUST VALVE PISTON	14,21	17,34
12	939280	HOSE SPRING 134-3.0-0.65	0,00	0,00
13	239952	COMPRESSION SPRING 48.5/0.8 MM	3,53	4,31
14	911559	VALVE COVER	15,01	18,31
15	241271	TAPTITE-SCREW M5X25	0,73	0,89
16	430220	O-RING 15.9-2.3	0,73	0,89
17	241220	ADJUSTMENT SCREW	7,65	9,33
18	247980	DISTANCE SLEEVE 8.2/12/25.5	5,65	6,89
19	651067	RETAINING PLATE	14,86	18,13
20	841567	ALLEN SCREW ISO 4762 - M8X50 - 8.8	0,42	0,51
21	842041	LOCK NUT M6 - 6.6	0,34	0,41
22	660522	RUBBER BUFFER 18X15XM6	5,93	7,23
23	660520	RUBBER BUFFER 18X15XM6	5,93	7,23
24	651925	MOUNTING PLATE	9,52	11,61
25	664630	SOLENOID VALVE	27,68	33,77
26	927574	WASHER 5.3 DIN 125	0,11	0,14
27	840514	ALLEN SCREW ISO 4762 - M5x16 - 8.8	0,34	0,41
28	842032	LOCK NUT M5-6.6	0,34	0,41
29	660575	PRESSURE LINE 220 MM	1,87	2,28
30	866718	TIE WRAP 94x2.5 MM	0,07	0,08
31		RETAINING PLATE ASSY.		
32		WASHER 6.4 DIN 134		
33		ALLEN SCREW M6x30 DIN 912		
34	244211	WASHER 6.4 DIN 134	0,17	0,21
35	842041	LOCK NUT M6 - 6.6	0,34	0,41

3 E-RAVE SYSTEM

ITEM#	PART#	DESCRIPTION		
36	660520	RUBBER BUFFER 18X15XM6	5,93	7,23
37	994487	FUEL PUMP	49,10	59,90
38	651013	HOSE PACKAGE RAVE CONTROL UNIT	43,01	52,47
40		HOSE A5x8/2500mm		
41	274161	FUEL FILTER WITH ROTAX PRINT	6,62	8,07
42		HOSE A5x5/2500mm		
43	866714	TIE WRAP 142x3.2 MM	0,09	0,11
44	951341	TIE WRAP WITH MOUNT 202X4.6	1,11	1,36
45	251336	SUPPORT PLATE	1,55	1,89
46	251978	SPRING TYPE CLAMP 10	1,01	1,23
47	281342	RETROFIT KIT FUEL PUMP DD2	87,88	107,22

This page intentionally left blank

4 CENTRIFUGAL CLUTCH, PRIMARY BALANCE DRIVE



- B LOCTITE 243
- C LOCTITE 648
- E LOCTITE ANTI SEIZE 15378
- I LITHIUM-BASE GREASE

RECOMMENDED

XPS® KART TEC DD2 KART GEAR OIL
 Part No: 25473 Contents: 1000 ml



4 CENTRIFUGAL CLUTCH, PRIMARY BALANCE DRIVE

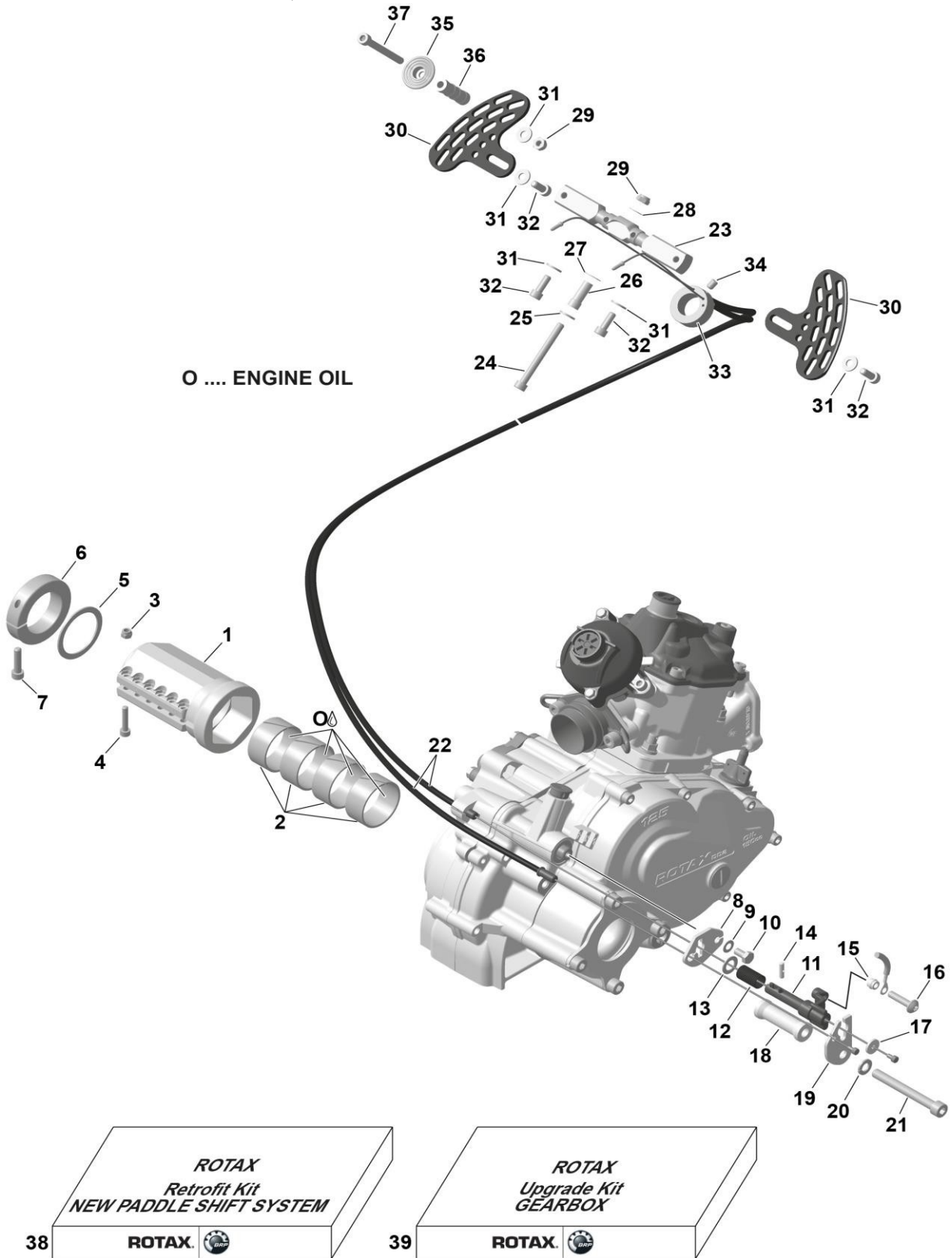
ITEM#	PART#	DESCRIPTION		
01	945664	RETAINING RING WITH LUG DIN 983-	0,56	0,69
02	635749	BALANCE GEAR 50 T ASSY.	81,79	99,78
03	434844	STARTER GEAR 70 T ASSY.	155,66	189,90
04	242873	HEX.NUT M22X1.5 H=6	4,82	5,88
05	659905	CLUTCH	118,94	145,11
06	640901	ALLEN SCREW M6X16 DIN 912	0,56	0,69
07	435541	SECONDARY GEAR 65 T	66,08	80,62
07	435547	SECONDARY GEAR 59 T	66,08	80,62
07	435546	SECONDARY GEAR 60 T	66,08	80,62
07	435542	SECONDARY GEAR 64 T	66,08	80,62
07	435544	SECONDARY GEAR 62 T	66,08	80,62
07	435545	SECONDARY GEAR 61 T	66,08	80,62
07	435543	SECONDARY GEAR 63 T	66,08	80,62
08	659920	CLUTCH W. PRIMARY DRIVE GEAR 34T	81,14	98,99
08	659922	CLUTCH W. PRIMARY DRIVE GEAR 32T	81,14	98,99
08	659923	CLUTCH W. PRIMARY DRIVE GEAR 33T	81,14	98,99
08	659924	CLUTCH W. PRIMARY DRIVE GEAR 35T	81,14	98,99
08	659926	CLUTCH W. PRIMARY DRIVE GEAR 36T	81,14	98,99
08	659927	CLUTCH W. PRIMARY DRIVE GEAR 37T	81,14	98,99
08	659928	CLUTCH W. PRIMARY DRIVE GEAR 38T	81,14	98,99
09	632410	NEEDLE CAGE 15X19X24	#N/V	#N/V
10	950815	O-RING DIN 3771-12X2.5-N. NBR 70	1,28	1,56
11	927057	THRUST WASHER 15.2/25/1	2,45	2,99
12	610643	CLUTCH COVER	197,82	241,34
13	632010	PIN 8X12 DIN 5402	1,51	1,84

4 CENTRIFUGAL CLUTCH, PRIMARY BALANCE DRIVE

ITEM#	PART#	DESCRIPTION		
14	232291	BALL BEARING 6302 TN9C3/15-42-13	13,38	16,32
15	250890	O-RING DIN 3771-17X1.5-N	1,19	1,46
16	240820	OIL LEVEL SCREW M18X1.5	3,06	3,73
17	241800	PLUG SCREW M18X1.5	2,06	2,51
18	630512	GASKET	7,52	9,17
19	840888	ALLEN SCREW ISO 4762 - M6x30 - 8.8	0,44	0,54
20	651063	RETAINING PLATE ASSY.	12,06	14,72
21	244211	WASHER 6.4 DIN 134	0,17	0,21
22	241956	ALLEN SCREW M6X40 ISO 4762-8.8 MC	0,43	0,52
23	251335	SUPPORT PLATE	10,99	13,41
24	841991	ALLEN SCREW M8X70	1,16	1,41
25	281723	RETROFIT KIT CLUTCH 125 MAX DD2	421,17	513,83

This page intentionally left blank

5 SHIFTING MECHANISM, TRANSMISSION



38

39

5 SHIFTING MECHANISM, TRANSMISSION

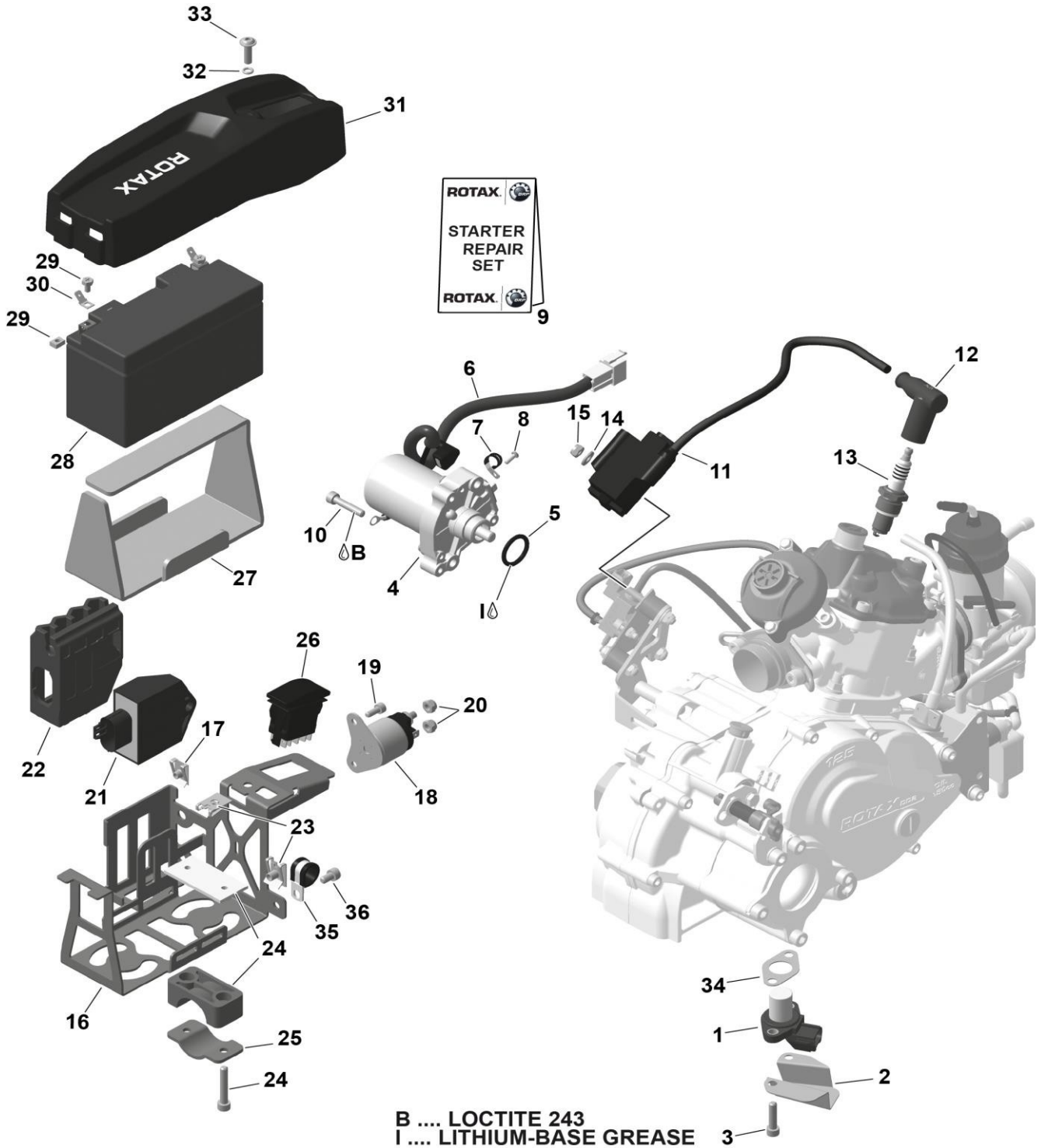
ITEM#	PART#	DESCRIPTION		
01		COUPLING FLANGE		
01	281870	COUPLING FLANGE SET	120,29	146,76
02	233120	PLAIN BEARING 40X44X20	9,97	12,16
03	942025	LOCK NUT DIN-982 M5-8	0,72	0,88
04	940882	ALLEN SCREW ISO 4762 - M5x30 - 8.8	0,42	0,51
05	427281	THRUSTWASHER 40/50/1.5	6,36	7,76
06	251740	CLAMPING RING	21,40	26,11
07	840866	ALLEN SCREW ISO 4762 - M6x25 - 8.8	0,42	0,51
08	251406	RETAINING PLATE	5,28	6,44
09	845020	SPRING WASHER B6	0,11	0,14
10	240382	HEX. SCREW ISO 4017 - M6X12 - 8.8	0,28	0,34
11	660538	SHIFT CONTACT ASSY.	15,90	19,40
12		COMPRESSION SPRING Dm11.3 D1.4 L59.0		
13		THRUST WASHER		
14		LOCATING PIN		
15	974531	FUEL TUBE 8 MM	0,79	0,96
16	940431	PLASTITE SCREW 6X25	0,83	1,02
17	626770	WASHER 3.8/14/2	0,83	1,02
18	847482	SPACER	6,30	7,69
19	251521	SHIFT CONTACT GUIDANCE	5,46	6,66
20	945832	LOCK WASHER DIN 128-A8-FST	0,11	0,14
21	841991	ALLEN SCREW M8X70	1,16	1,41
22	297134	CABLE BOWDEN ASSY.	27,92	34,06
23	257990	CONTROL WHIP	41,04	50,06
24	240373	ALLEN SCREW ISO 4762 - M6x60 - 8.8	0,78	0,95
25	244211	WASHER 6.4 DIN 134	0,17	0,21
26	247440	SPACER	7,82	9,54
27	227945	THRUST WASHER 8.5/15/0.5	0,81	0,99
28	845020	SPRING WASHER B6	0,11	0,14
29	842041	LOCK NUT M6 - 6.6	0,34	0,41
30	657010	CONTROL LEVER	19,49	23,78
31	244211	WASHER 6.4 DIN 134	0,17	0,21
32	241237	ALLEN SCREW ISO 4762 - M6x16 - 8.8	0,57	0,70
33	651510	CABLE SUPPORT	15,06	18,37
34	841771	SET SCREW M6X8	0,78	0,95
35	657030	THRUST WASHER	10,79	13,16
36	647190	SPACER	8,60	10,49

5 SHIFTING MECHANISM, TRANSMISSION

ITEM#	PART#	DESCRIPTION		
37	240373	ALLEN SCREW ISO 4762 - M6x60 - 8.8	0,78	0,95
38	281850	RETROFIT KIT PADDLE SHIFT S. 125 MAX	127,55	155,61
39	281855	RETROFIT KIT GEARBOX 125 MAX DD2	415,89	507,39

This page intentionally left blank

6 ELECTRONIC COMPONENTS



6 ELECTRONIC COMPONENTS

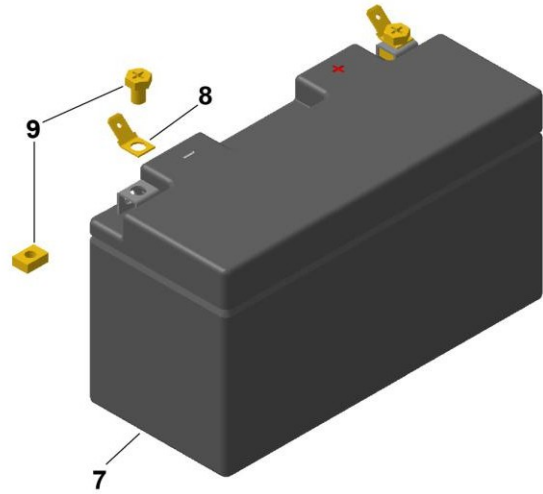
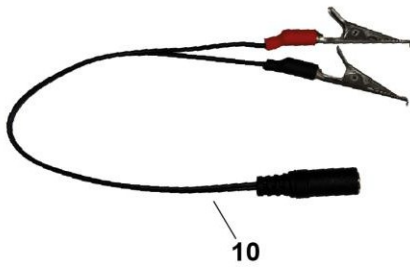
ITEM#	PART#	DESCRIPTION		
01	265560	PICK UP SENSOR	56,18	68,54
02	251531	PROTECTION SHIELD	12,91	15,75
03	840866	ALLEN SCREW ISO 4762 - M6x25 - 8.8	0,42	0,51
04	294805	ELECTRIC STARTER ASSY.	162,64	198,42
05		O-RING		
06	265532	CABLE ASSY.	13,32	16,25
07	651940	CABLE CLAMP	2,42	2,95
08		SCREW M3x8		
09	281262	REPAIR KIT (ELECTRIC STARTER)	16,45	20,07
10	840888	ALLEN SCREW ISO 4762 - M6x30 - 8.8	0,44	0,54
11	666826	IGNITION COIL	89,81	109,57
11	666826	IGNITION COIL	89,81	109,57
12	866700	SPARK PLUG CONNECTOR	21,34	26,04
12	866700	SPARK PLUG CONNECTOR	21,34	26,04
13	298103	SPARK PLUG NGK GR9DI	18,62	22,72
13	298102	SPARK PLUG NGK GR8DI	18,62	22,72
14	244211	WASHER 6.4 DIN 134	0,17	0,21
15	842041	LOCK NUT M6 - 6.6	0,34	0,41
16	251129	BATTERY CLAMP	45,51	55,53
17	842680	SHEET NUT M5	1,31	1,59
18	992819	STARTER RELAY ASSY.	36,04	43,97
19	640542	ALLEN SCREW ISO 4762 - M5x12 - 8.8	0,38	0,47
20	842041	LOCK NUT M6 - 6.6	0,34	0,41
21	666816	ELECTRONIC BOX DD2	173,07	211,14

6 ELECTRONIC COMPONENTS

ITEM#	PART#	DESCRIPTION		
22	201900	RUBBER PAD	12,35	15,07
23	242141	SHEET NUT M6	1,31	1,59
24	251254	PIPE CLAMP SET	11,88	14,50
25	251360	PIPE CLAMP	2,91	3,56
26	264854	MULTIPLE FUNCTION SWITCH	33,00	40,26
27	660767	RUBBER PAD	19,40	23,67
28	265516	BATTERY 12 V-6.5Ah UNFILLED RTX	88,19	107,59
29	481380	BATTERY FIXATION KIT	3,27	3,99
30	864950	FLAT CONNECTOR	0,30	0,37
31	201602	BATTERY COVER	27,30	33,30
32	831929	O-RING DIN 3771-5X2-N. FPM 75	0,72	0,88
33	440761	ALLEN SCREW W. ROUNDED FLANGE	0,78	0,95
34	431500	GASKET	1,43	1,74
35	851492	CABLE CLAMP 15/M6	2,77	3,38
36	241081	ALLEN SCREW M6X10 DIN 912	0,30	0,37

This page intentionally left blank

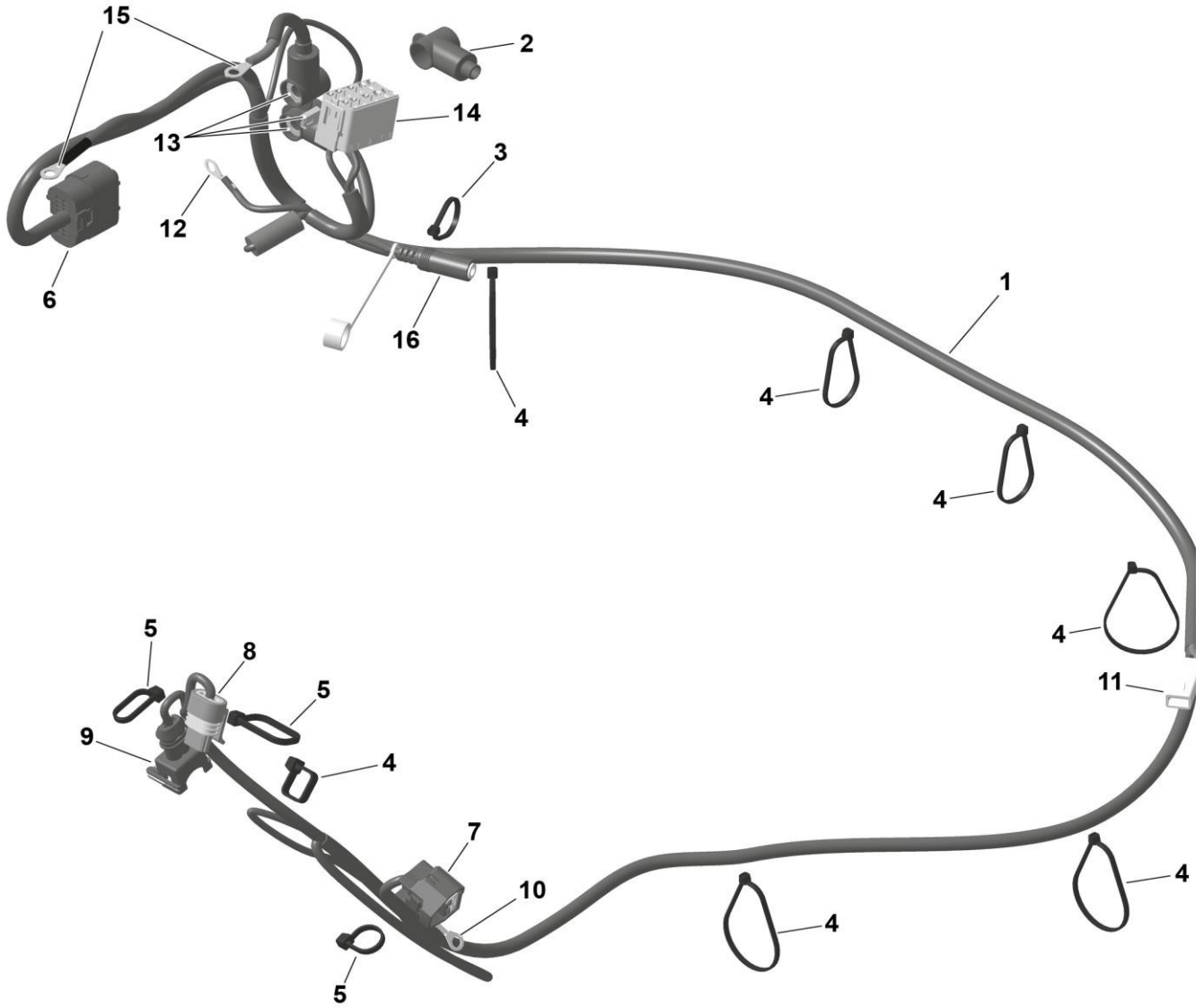
7 BATTERY, BATTERY CHARGER



7 BATTERY, BATTERY CHARGER

ITEM#	PART#	DESCRIPTION		
01	265148	BATTERY CHARGER	55,74	68,01
02	266018	ADAPTER-ROW	3,71	4,53
03	266010	ADAPTER-EURO	2,93	3,57
04	266012	ADAPTER-UK	2,93	3,57
05	266014	ADAPTER-USA	2,93	3,57
06	266016	ADAPTER-AUSTRALIA	2,93	3,57
07	265516	BATTERY 12 V-6.5Ah UNFILLED RTX	88,19	107,59
08	864950	FLAT CONNECTOR	0,30	0,37
09	481380	BATTERY FIXATION KIT	3,27	3,99
10	266022	CONNECTOR CABLE FOR BATTERY	13,10	15,98
11	265031	ROTAX Lithium Battery 12V / 4Ah	251,13	306,38
12	581325	BATTERY CHARGER OPTIMATE LITHIUM	152,29	185,80

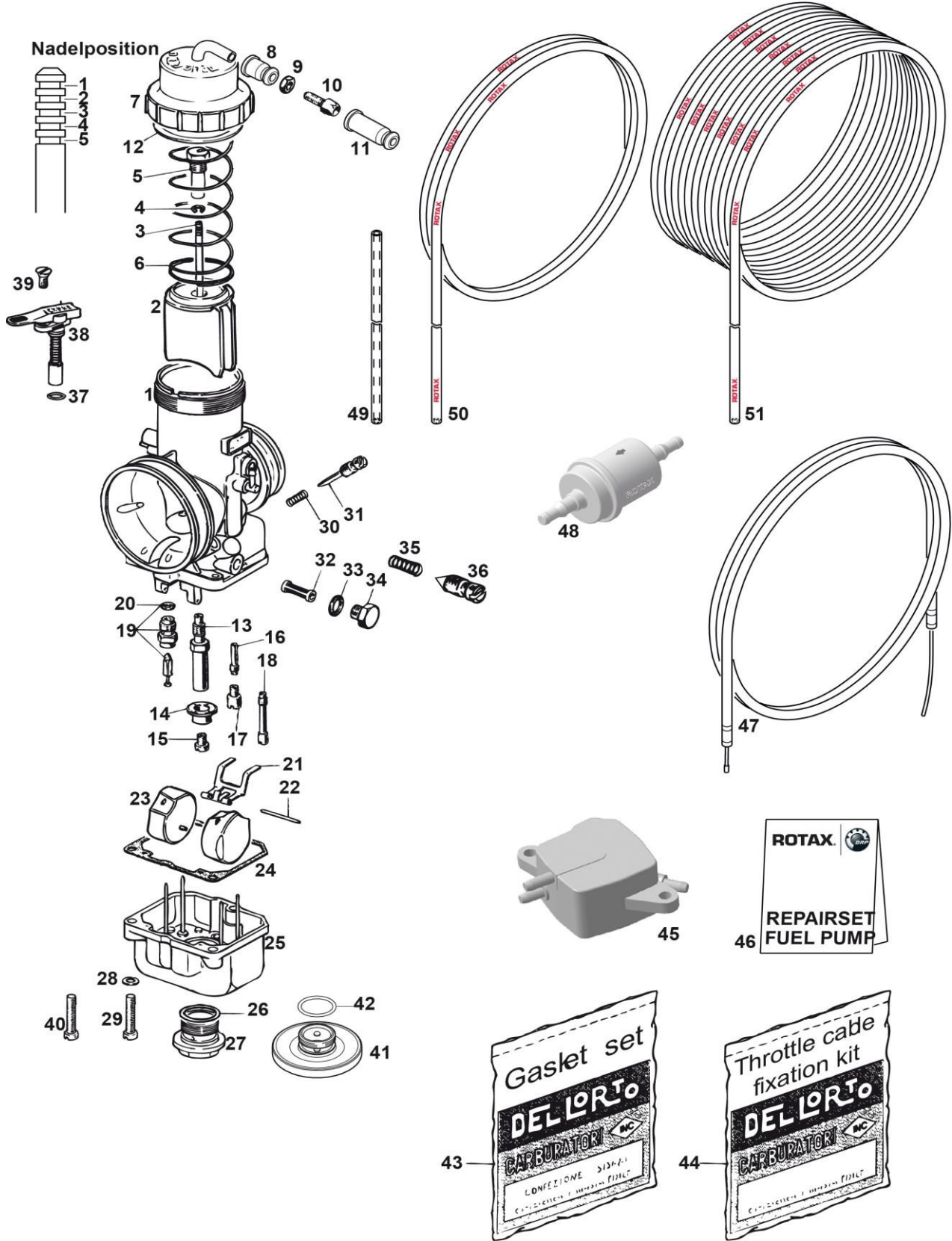
8 WIRING HARNESS



8 WIRING HARNESS

ITEM#	PART#	DESCRIPTION		
01	666836	WIRING HARNESS	112,53	137,29
02	666904	RELAY CAP	2,98	3,64
03	866718	TIE WRAP 94x2.5 MM	0,07	0,08
04	651397	TIE WRAP 250X4.8 MM	0,20	0,25
05	866714	TIE WRAP 142x3.2 MM	0,09	0,11
06		CONNECTOR ECU		
07		CONNECTOR PICK UP SENSOR		
08		CONNECTOR IGNITION COIL		
09		CONNECTOR RAVE		
10		CONNECTOR SHIFT CONTACT		
11		CONNECTOR STARTER		
12		CONNECTOR GROUND		
13		CONNECTOR STARTER RELAY		
14		CONNECTOR MULTIPLE FUNCTION		
15		CONNECTOR BATTERY		
16		CONNECTOR BATTERY CHARGER		

9 CARBURETTOR, CARBURETTOR ACCESSORIES



9 CARBURETTOR, CARBURETTOR ACCESSORIES

ITEM#	PART#	DESCRIPTION		
01	295062	DELL'ORTO CARBURETOR VHSB 34 XS	338,90	413,45
02	262031	CARBURATOR SLIDE 45	96,35	117,55
03	261192	JET NEEDLE K 57	9,52	11,61
04	245630	CLIP	1,24	1,51
05	261270	NIPPLE SCREW	10,59	12,92
06	239885	THROTTLE VALVE SPRING	6,76	8,25
07	261427	CARBURETOR COVER WITH BENT TUBE	20,34	24,82
08		RUBBER GROMMET SMALL		
09		HEX.NUT M6x0.75		
10		ADJUSTMENT SCREW M6x0.75		
11		RUBBER GROMMET BIG		
12		GASKET		
13	262042	NEEDLE JET DP 267	23,53	28,70
14	261550	MAIN JET CUP	3,62	4,42
15	281479	MAIN JET KIT 124 - 134	36,96	45,09
15	281474	MAIN JET KIT 190-192-195-198-200	16,63	20,29
15	282991	MAIN JET KIT 105 - 120	50,69	61,84
15	282990	MAIN JET KIT 128 - 138	34,96	42,65
15	281471	MAIN JET KIT 145-148-150-152-155-158	19,90	24,28
15	281470	MAIN JET KIT 160-162-165-168-170-172	19,90	24,28
15	281473	MAIN JET KIT 132-135-138-140-142	16,63	20,29
15	281472	MAIN JET KIT 175-178-180-182-185-188	19,90	24,28
16	281885	IDLE JET INSERT SET	19,14	23,35
17	281882	IDLE JET KIT 30-35-40-45-50-55-60	19,14	23,35
18	261895	STARTING JET 60	4,93	6,01
19	261880	NEEDLE VALVE 150	26,45	32,27
19	261881	NEEDLE VALVE 200	26,45	32,27
20		GASKET		
21	261290	FLOAT BRACKET	14,82	18,08

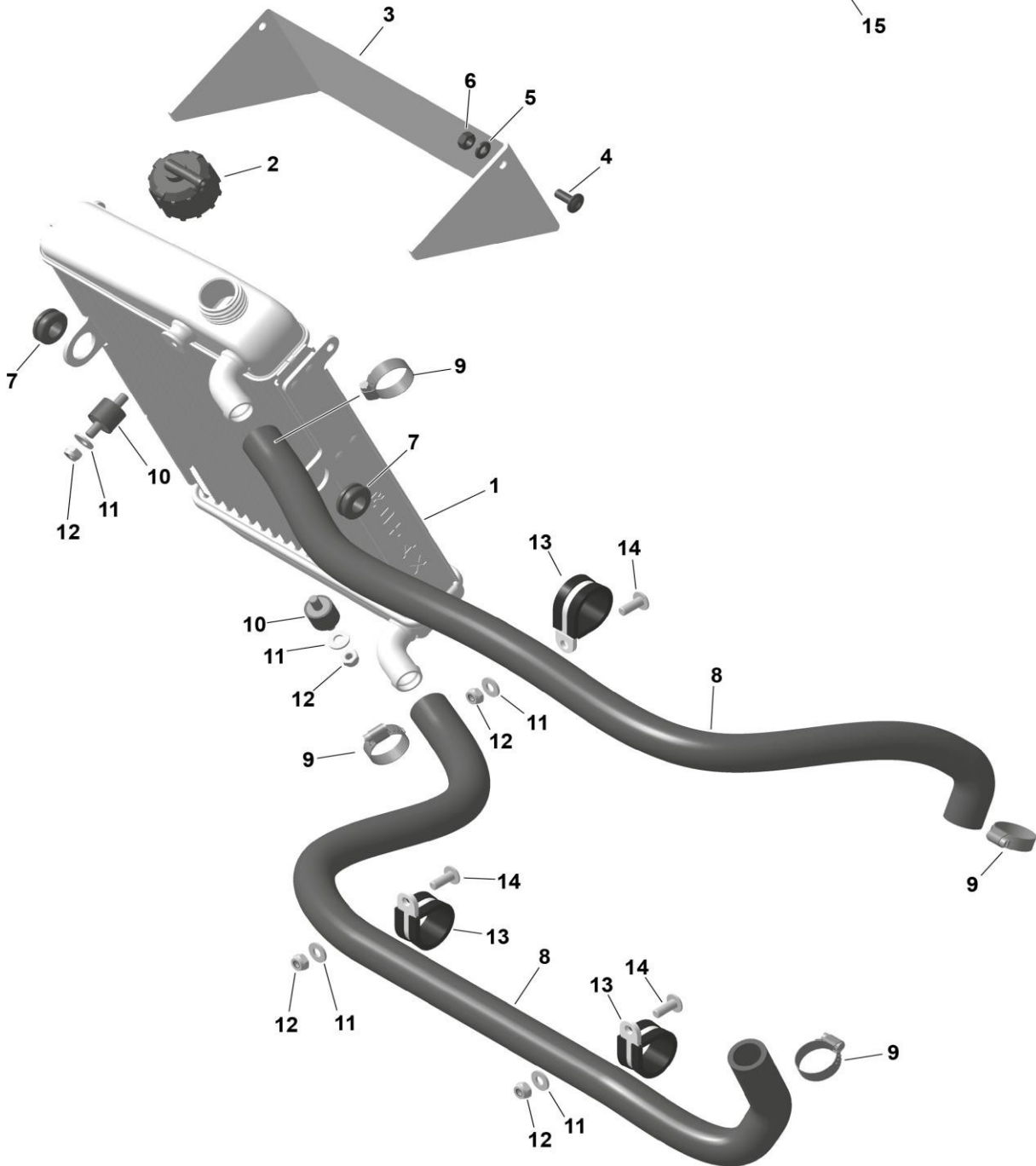
9 CARBURETTOR, CARBURETTOR ACCESSORIES

ITEM#	PART#	DESCRIPTION		
22	229271	FLOAT PIN	3,88	4,74
23	268030	FLOAT 5.2 GR.	12,25	14,95
23	268031	FLOAT 3.6 GR.	12,25	14,95
23	268032	FLOAT 4.0 GR.	12,25	14,95
24		GASKET		
25		FLOAT CHAMBER		
26		GASKET		
27	261373	PLUG SCREW	6,73	8,21
28	845312	LOCK WASHER VHZ 5	0,42	0,51
29	262020	ALLEN SCREW M5X20	1,06	1,29
30		COMPRESSION SPRING		
30	268044	ADJUSTMENT SCREW KIT	5,28	6,44
31		ADJUSTMENT SCREW		
32		FUEL FILTER		
32	268042	FUEL SIEVE KIT	12,94	15,79
33		GASKET		
34		PLUG SCREW		
35		COMPRESSION SPRING		
36		ADJUSTMENT SCREW		
37		GASKET		
38	261915	CHOKE LEVER ASSY.	31,06	37,89
39	240505	COUNTERSUNK SCREW M4.5X10	3,41	4,16
40	240184	ALLEN SCREW M5X20	3,35	4,09
41	261030	CARBURETOR PLUG SCREW	20,96	25,57
42	230890	O RING 17-2.5	1,32	1,61
43	293834	GASKET SET	14,73	17,97
44	268040	THROTTLE CABLE FIXATION KIT	8,82	10,76
45	994487	FUEL PUMP	49,10	59,90

9 CARBURETTOR, CARBURETTOR ACCESSORIES

ITEM#	PART#	DESCRIPTION		
46	296165	GASKET SET FUEL PUMP	15,21	18,56
46	296167	GASKET SET FUEL PUMP DELLORTO	30,64	37,38
47	297122	CABLE BOWDEN ASSY. THROTTLE	10,35	12,63
48	274161	FUEL FILTER WITH ROTAX PRINT	6,62	8,07
49	260260	AIR VENT HOSE 160 mm +/- 1 mm	3,41	4,16
50	974562	TUBE A5X8/2500 MM	14,32	17,47
51	570910	TUBE 5X8 MM / 50M ROLL ROTAX PRINTED Optional	232,96	284,21

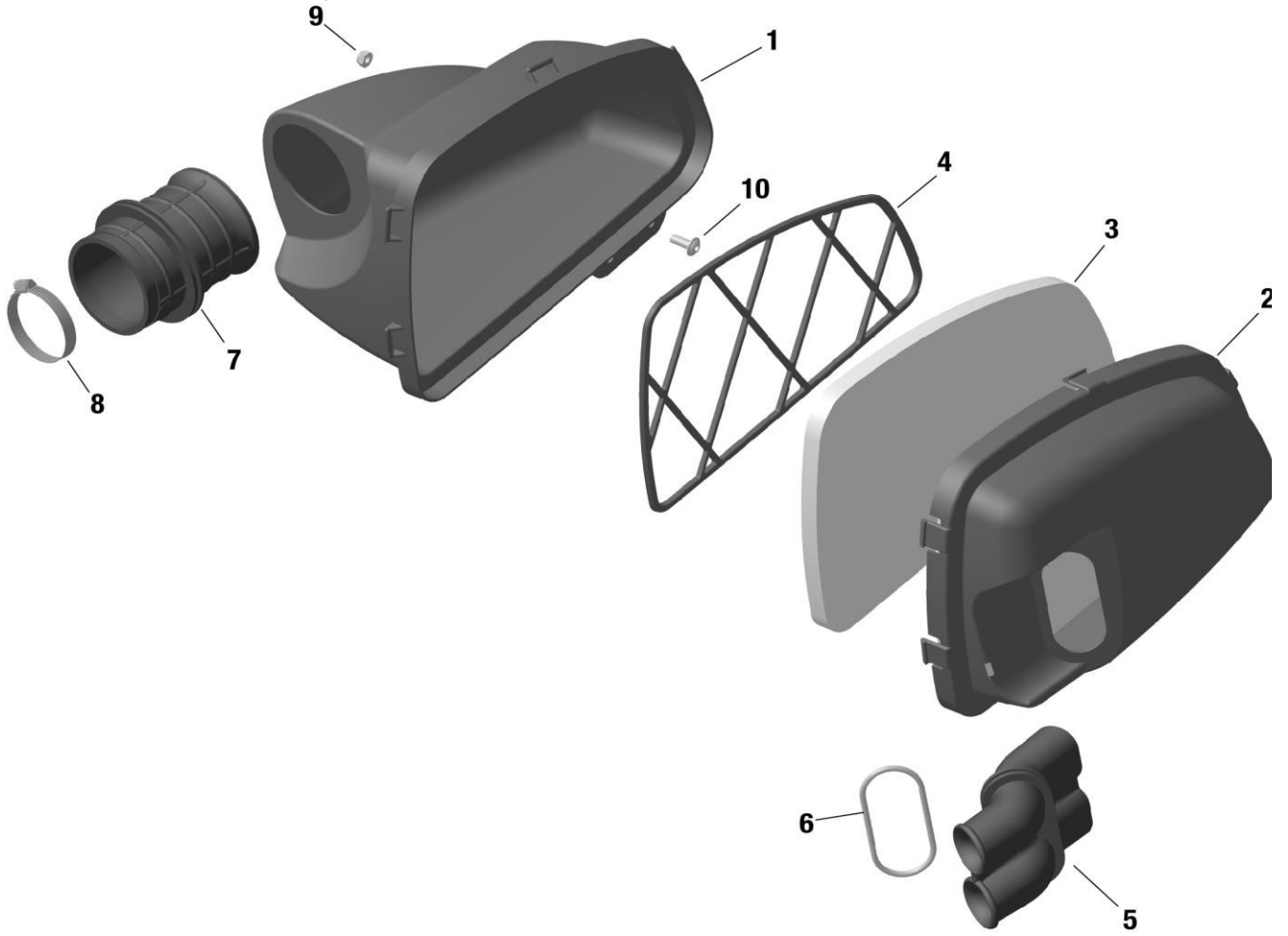
10 RADIATOR, RADIATOR ACCESSORIES



10 RADIATOR, RADIATOR ACCESSORIES

ITEM#	PART#	DESCRIPTION		
01	295926	RADIATOR WITH CAP ASSY.	345,73	421,79
02	222750	RADIATOR CAP WITH GASKET 1.0 BAR	21,54	26,27
03	201224	RADIATOR FLAP DD2	27,65	33,73
04	440751	ALLEN SCREW W. ROUNDED FLANGE	0,78	0,95
05	244211	WASHER 6.4 DIN 134	0,17	0,21
06	842041	LOCK NUT M6 - 6.6	0,34	0,41
07	660440	RUBBER GROMMET	1,51	1,84
08	222742	COOLING-WATER HOSE NW 18	18,93	23,09
09	951870	CLAMP 16-25	2,04	2,48
10	660522	RUBBER BUFFER 18X15XM6	5,93	7,23
11	244211	WASHER 6.4 DIN 134	0,17	0,21
12	842041	LOCK NUT M6 - 6.6	0,34	0,41
13	251430	CABLE CLAMP 26/M6	2,90	3,54
14	440751	ALLEN SCREW W. ROUNDED FLANGE	0,78	0,95
15	582923	RADIATOR STICKER 125 MAX DD2 EVO	6,47	7,89

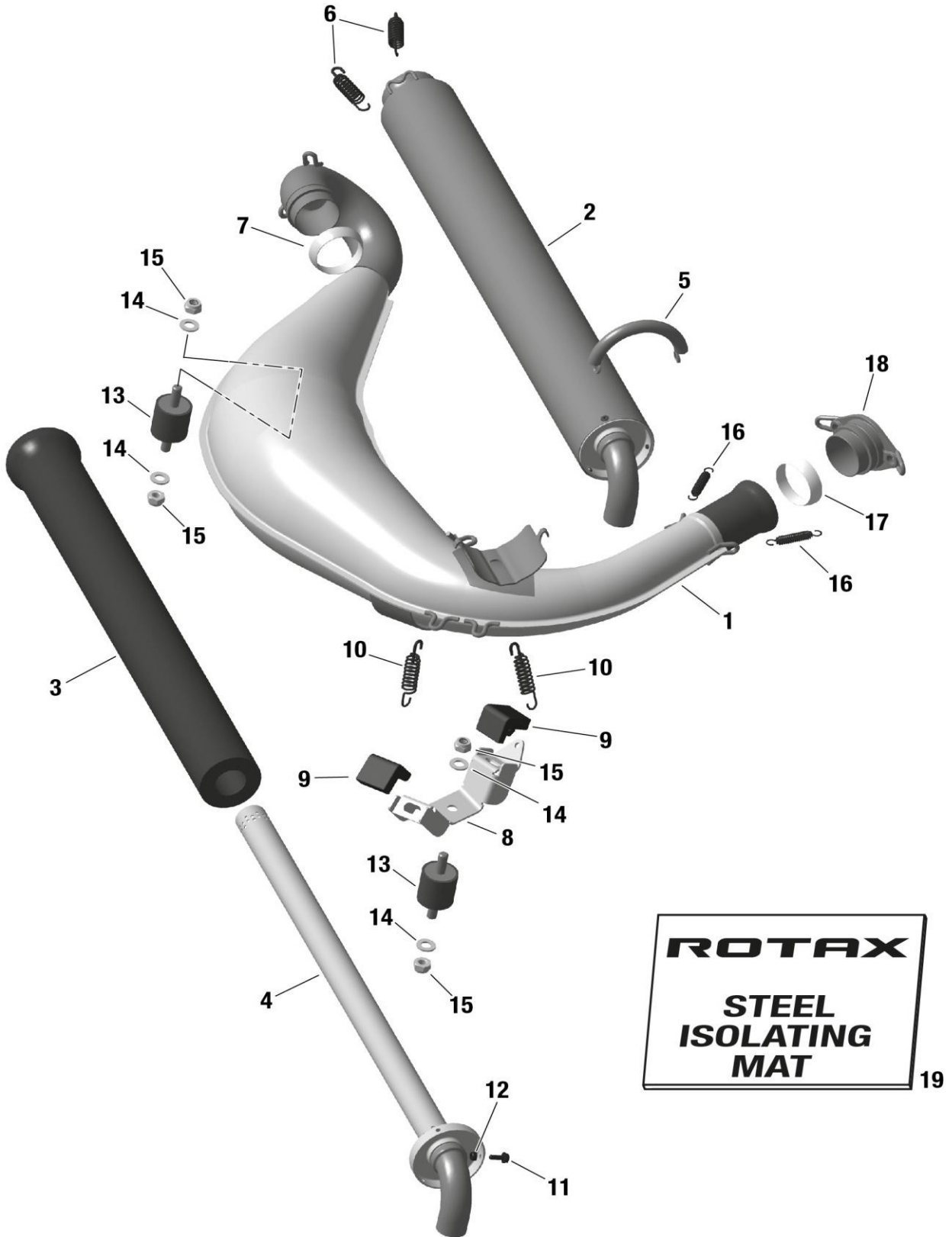
11 INTAKE SILENCER, AIR FILTER



11 INTAKE SILENCER, AIR FILTER

ITEM#	PART#	DESCRIPTION		
01	225013	INTAKE SILENCER CASE	23,83	29,07
02	225023	INTAKE SILENCER COVER	18,26	22,28
03	225054	FILTER ELEMENT	21,78	26,58
04	225062	HOLDER FOR FILTER ELEMENT	5,45	6,64
05	225041	INTAKE SILENCER TUBE	22,43	27,36
06	650500	O-RING DIN 3771-59.52X2.62-N. NBR 70	3,12	3,80
07	225031	CARBURETOR SOCKET	12,42	15,15
08	951791	CLAMP 50-70	3,13	3,82
09	842041	LOCK NUT M6 - 6.6	0,34	0,41
10	440751	ALLEN SCREW W. ROUNDED FLANGE HEAD M6X16	0,78	0,95

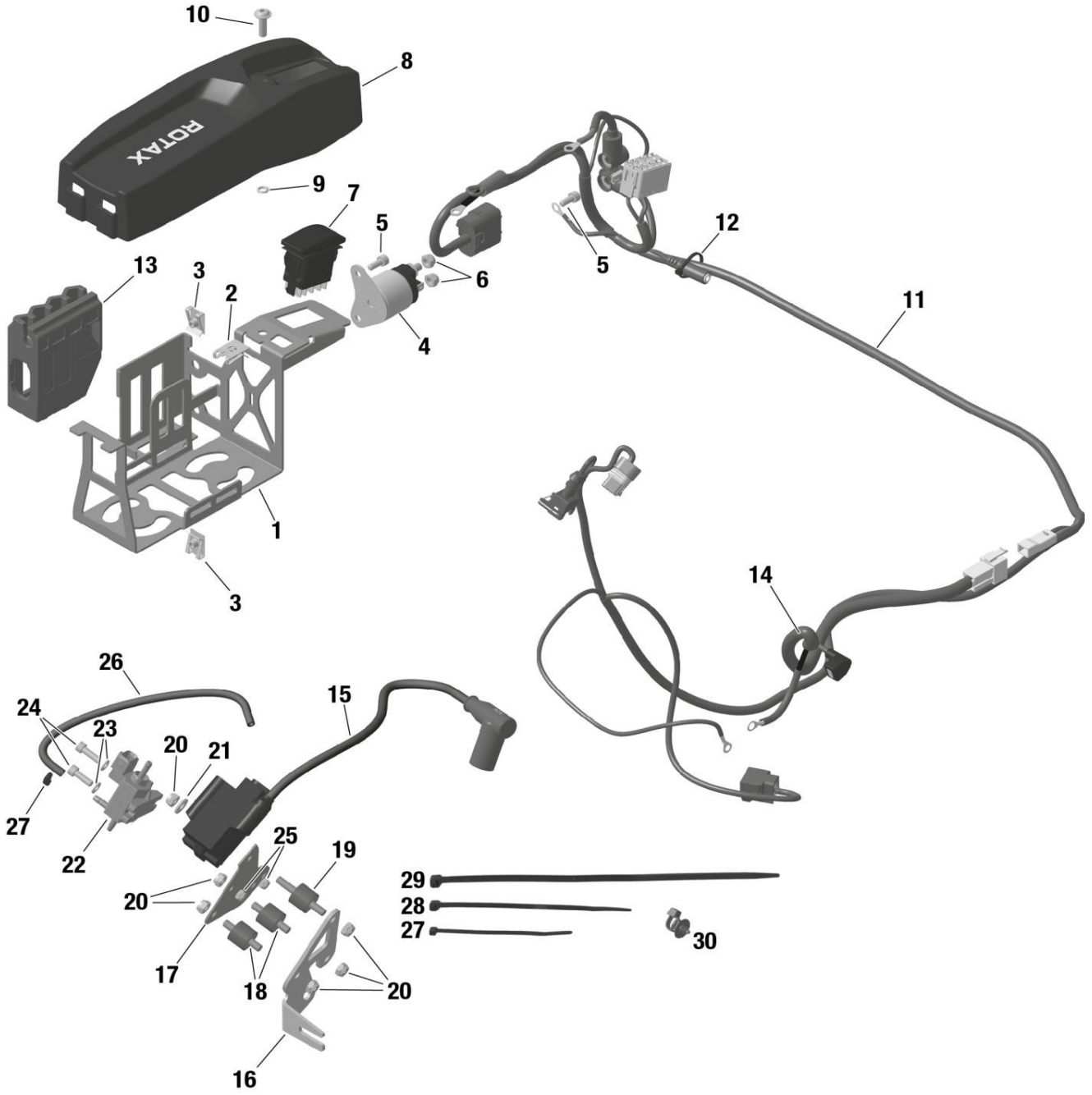
12 EXHAUST SYSTEM



12 EXHAUST SYSTEM

ITEM#	PART#	DESCRIPTION		
01	273185	EXHAUST MUFFLER ASSY. 125 MAX DD2	238,70	291,21
01	273180	EXHAUST SYSTEM 125 MAX DD2 EVO	358,63	437,53
02	273220	SILENCER ASSY.	144,86	176,73
03	297982	ISOLATING MAT	11,16	13,62
04	273210	PERFORATED TUBE ASSY.	41,16	50,21
05	238945	TENSION SPRING	3,41	4,16
06	938798	SPRING STAINLESS	4,59	5,60
07	450360	EXHAUST GASKET	11,41	13,92
08	651075	RETAINING PLATE	24,27	29,61
09	201720	RUBBER BUFFER	4,47	5,45
10	938798	SPRING STAINLESS	4,59	5,60
11	440292	ALLEN SCREW ISO 4762 - M4x12 - 8.8	0,57	0,70
12	242538	LOCK NUT DIN 985-M4-A2	0,82	1,00
13	660920	RUBBER BUFFER 30X30XM8	6,87	8,39
14	250313	WASHER 8.4 STAINLESS STEEL	0,45	0,55
15	942031	LOCK NUT DIN 985-M8-8.8	0,72	0,88
16	938798	SPRING STAINLESS	4,59	5,60
17	450360	EXHAUST GASKET	11,41	13,92
18		EXHAUST SOCKET ASSY		
19	297983	ISOLATING MAT STEEL WITH TIE WRAP	24,32	29,66

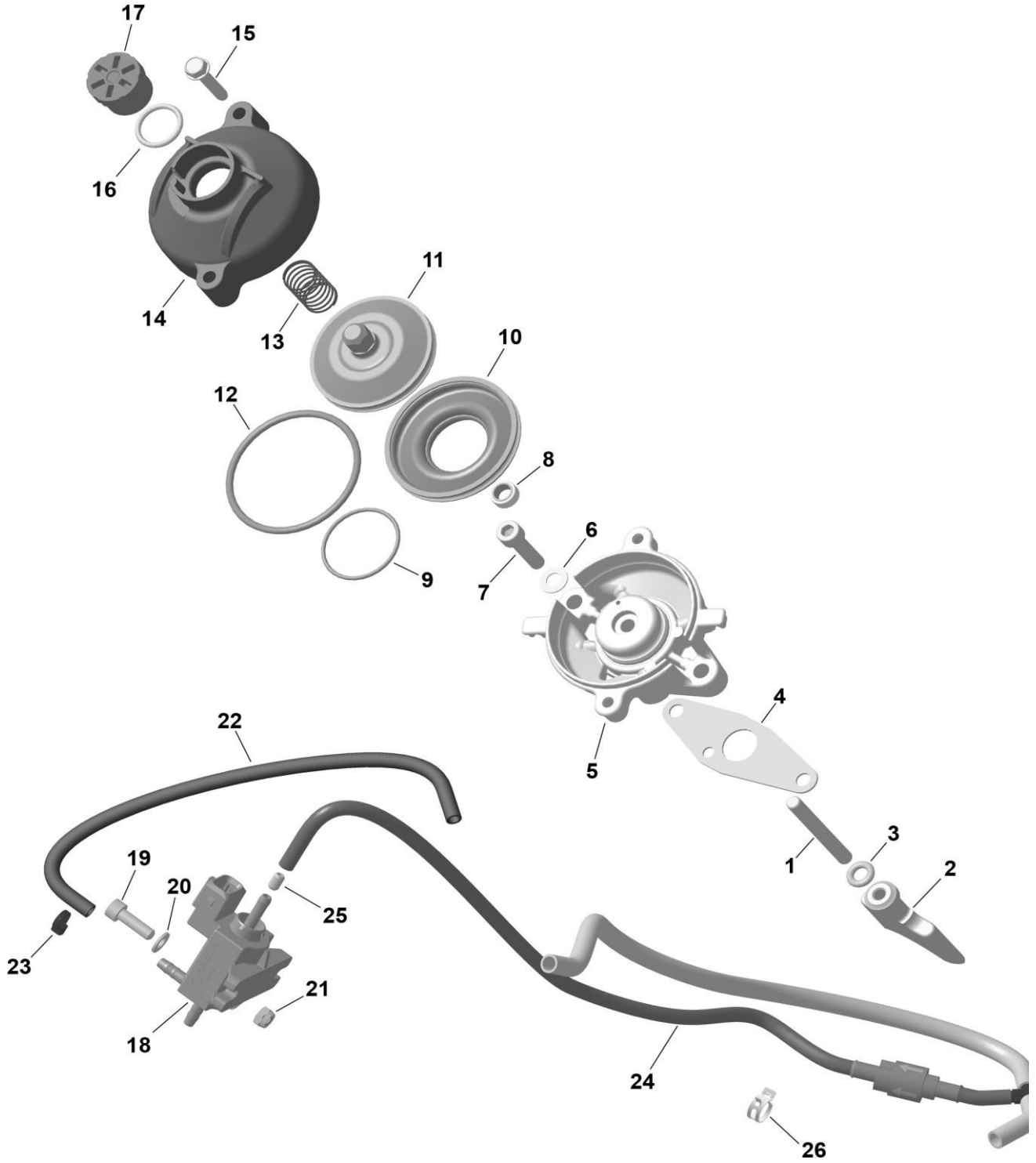
13 EVO UPGRADE KIT IGNITION



13 EVO UPGRADE KIT IGNITION

ITEM#	PART#	DESCRIPTION		
01		BATTERY CLAMP		
01	251124	BATTERY CLAMP EVO ASSY.	292,79	357,20
02		SHEET NUT M6		
03		SHEET NUT M5		
04		STARTER RELAY ASSY.		
05		ALLEN SCREW ISO 4762		
06		LOCK NUT M6		
07		MULTIPLE FUNCTION SWITCH		
08		BATTERY COVER		
09		O-RING 5x2		
10		ALLEN SCREW M6X20		
11		WIRING HARNESS		
12		TIE WRAP 94x2.5		
13		RUBBER PAD		
14	265532	CABLE ASSY.	13,32	16,25
15	666826	IGNITION COIL	89,81	109,57
15	666826	IGNITION COIL	89,81	109,57
16	651067	RETAINING PLATE	14,86	18,13
17	651925	MOUNTING PLATE	9,52	11,61
18	660522	RUBBER BUFFER 18X15XM6	5,93	7,23
19	660520	RUBBER BUFFER 18X15XM6	5,93	7,23
20	842041	LOCK NUT M6 - 6.6	0,34	0,41
21	244211	WASHER 6.4 DIN 134	0,17	0,21
22		Included in kit 481260		
27	866718	TIE WRAP 94x2.5 MM	0,07	0,08
28	866714	TIE WRAP 142x3.2 MM	0,09	0,11
29	651397	TIE WRAP 250X4.8 MM	0,20	0,25
30	951341	TIE WRAP WITH MOUNT 202X4.6	1,11	1,36

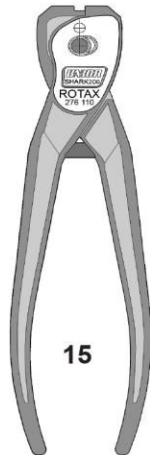
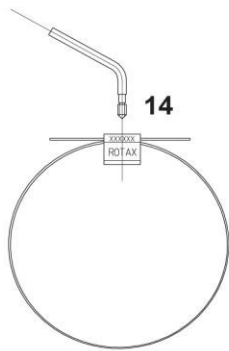
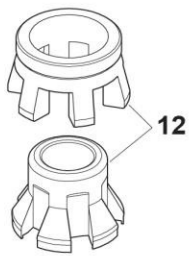
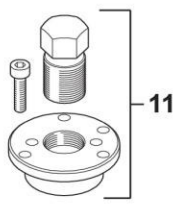
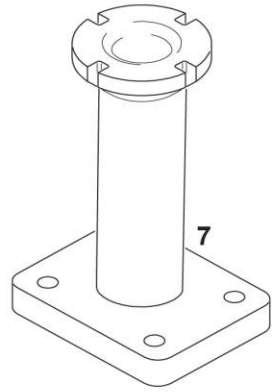
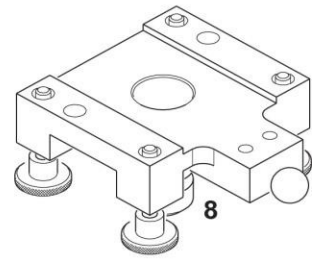
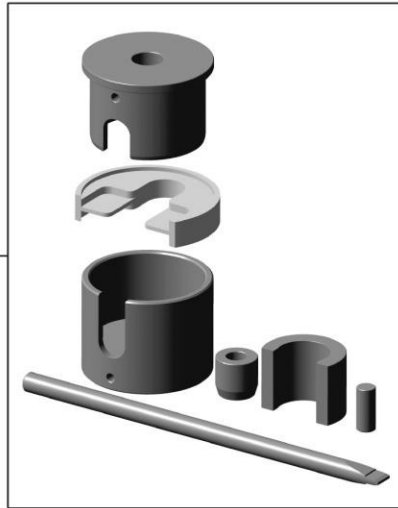
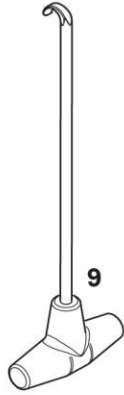
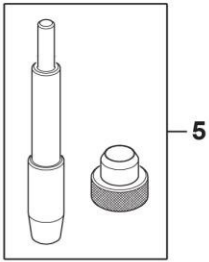
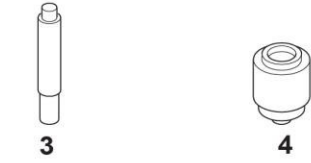
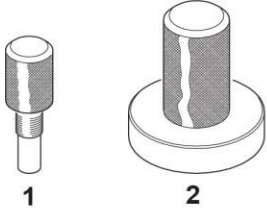
14 EVO UPGRADE KIT E-EXHAUST VALVE



14 EVO UPGRADE KIT E-EXHAUST VALVE

ITEM#	PART#	DESCRIPTION		
01	481260	EVO UPGRADE KIT E-EXHAUST VALVE	184,59	225,20
01	441358	STUD M6X52.5 MK	5,02	6,12
02	253725	EXHAUST VALVE	27,65	33,73
02	253721	EXHAUST VALVE	28,56	34,84
03	230261	O-RING DIN 3771-6X2.5 NBR 70 RED	1,73	2,11
04	250232	GASKET	2,84	3,46
05	253385	VALVE ROD HOUSING KPL.	47,79	58,30
06	845020	SPRING WASHER B6	0,11	0,14
07	840866	ALLEN SCREW ISO 4762 - M6x25 - 8.8	0,42	0,51
08	930500	OIL SEAL 6X11X3/4.5	4,11	5,01
09	838255	HOSE SPRING 70-1.7-0.3	1,56	1,91
10	260723	BELLOW	13,65	16,65
11	854440	EXHAUST VALVE PISTON	14,21	17,34
12	939280	HOSE SPRING 134-3.0-0.65	0,00	0,00
13	239952	COMPRESSION SPRING 48.5/0.8 MM	3,53	4,31
14	911559	VALVE COVER	15,01	18,31
15	241271	TAPTITE-SCREW M5X25	0,73	0,89
16	430220	O-RING 15.9-2.3	0,73	0,89
17	241220	ADJUSTMENT SCREW	7,65	9,33
18	664630	SOLENOID VALVE	27,68	33,77
19	840514	ALLEN SCREW ISO 4762 - M5x16 - 8.8	0,34	0,41
20	927574	WASHER 5.3 DIN 125	0,11	0,14
21	842032	LOCK NUT M5-6.6	0,34	0,41
22	660575	PRESSURE LINE 220 MM	1,87	2,28
23	866718	TIE WRAP 94x2.5 MM	0,07	0,08
24	651013	HOSE PACKAGE RAVE CONTROL UNIT	43,01	52,47
25	956305	IMPULSE NOZZLE	3,59	4,38
26	251978	SPRING TYPE CLAMP 10	1,01	1,23

15 REPAIR TOOLS



ROTAX
100% MADE IN GERMANY

ENGINE IDENTITY CARD

125 200L 400K
 125 200L 400K
 125 200L 400K
 125 200L 400K

Engine Serial No: _____
 ROTAX Seal No: _____

Engine sold by: _____

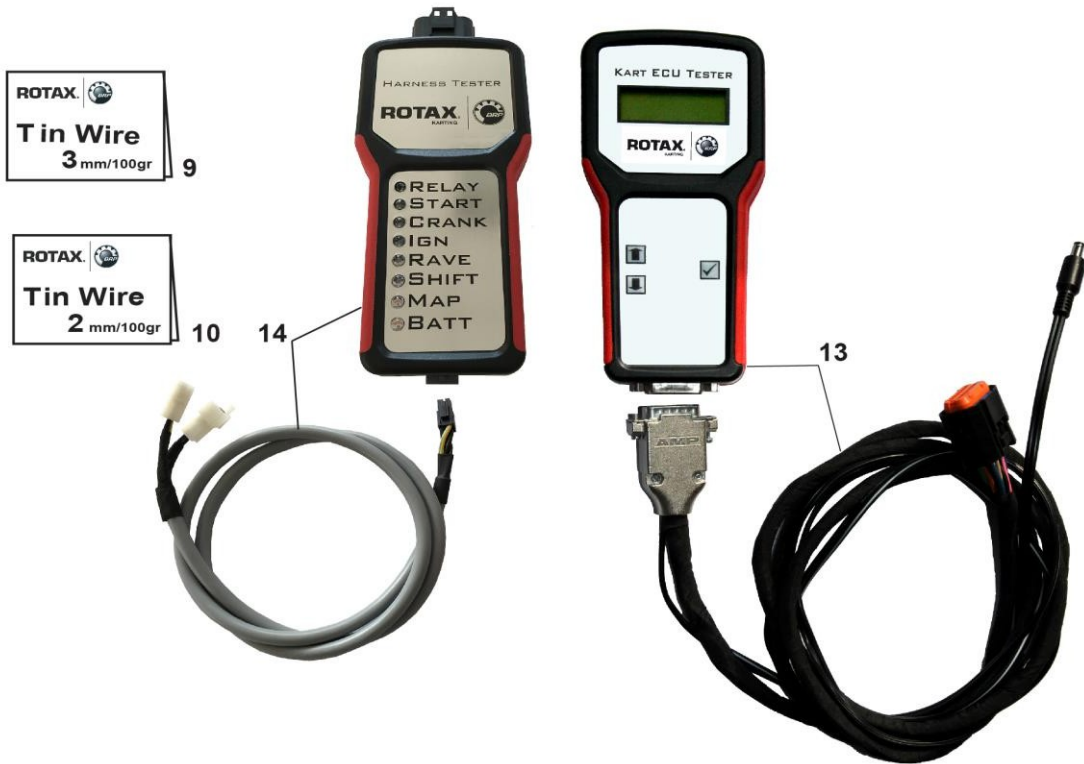
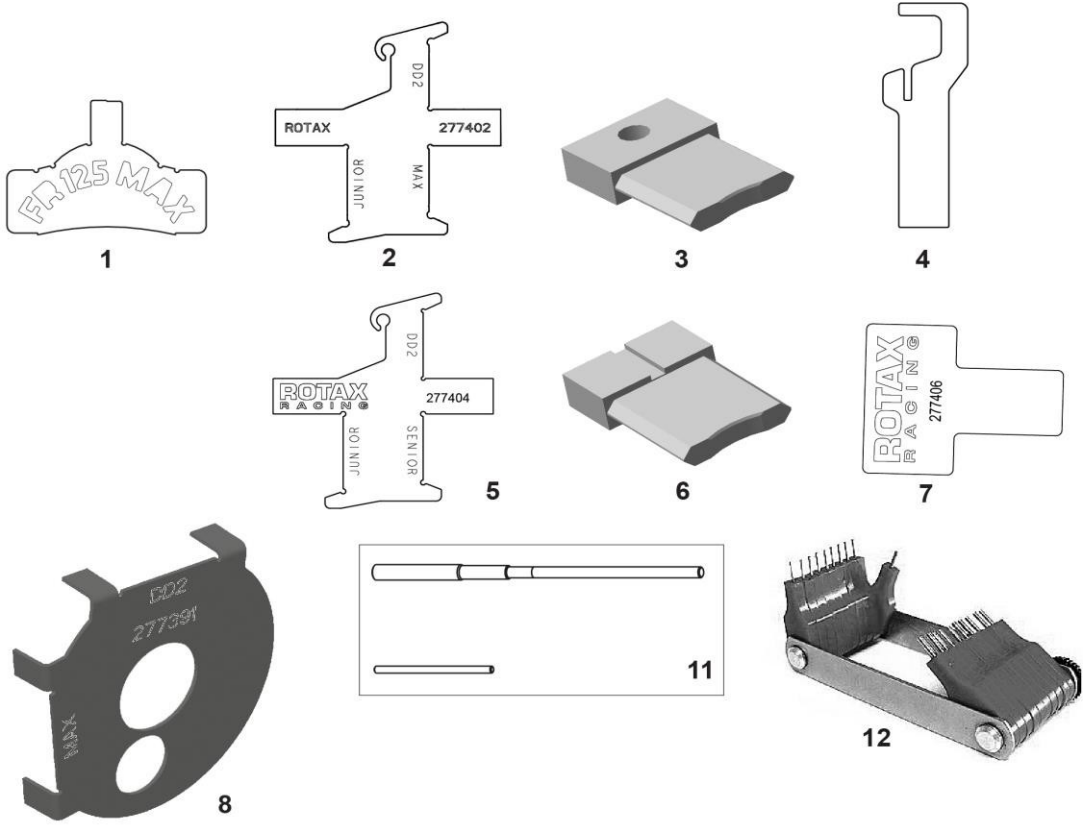
Stamp of Authorized Distributor/Service Center for ROTAX Motor Engines: _____

Signature: _____ Date: ____/____/____

15 REPAIR TOOLS

ITEM#	PART#	DESCRIPTION		
01	277381	FIXATION TOOL FOR CRANKSHAFT	20,79	25,37
02	676022	INSERTION JIG	63,71	77,72
03	676030	INSERTION JIG	16,25	19,82
04	676021	INSERTION JIG	20,88	25,48
05	676035	INSERTION TOOL	48,72	59,44
06	676202	FIXATION TOOL ASSY. DD2	13,21	16,12
07	877930	TRESTLE SUPPORT	286,18	349,14
08	676052	FIXING PLATE FOR ENGINE	333,70	407,11
09	251680	SPRING HOOK	14,11	17,21
10	276052	CRANKSHAFT REPAIR JIG	1.676,54	2.045,38
11	276016	PULLER ASSY.	71,89	87,70
12	276070	ASSEMBLY TOOL BELLOW SPRING	56,69	69,16
13	676110	WRENCH ADAPTER 11/8	13,93	16,99
14	297041	ROTAX-SEAL WITH BARCODE BLACK	3,22	3,93
15	276110	ROTAX SEAL CALLIPER	54,67	66,70
16	297240	ENGINE IDENTITY CARD For authorised distributors only	0,46	0,56

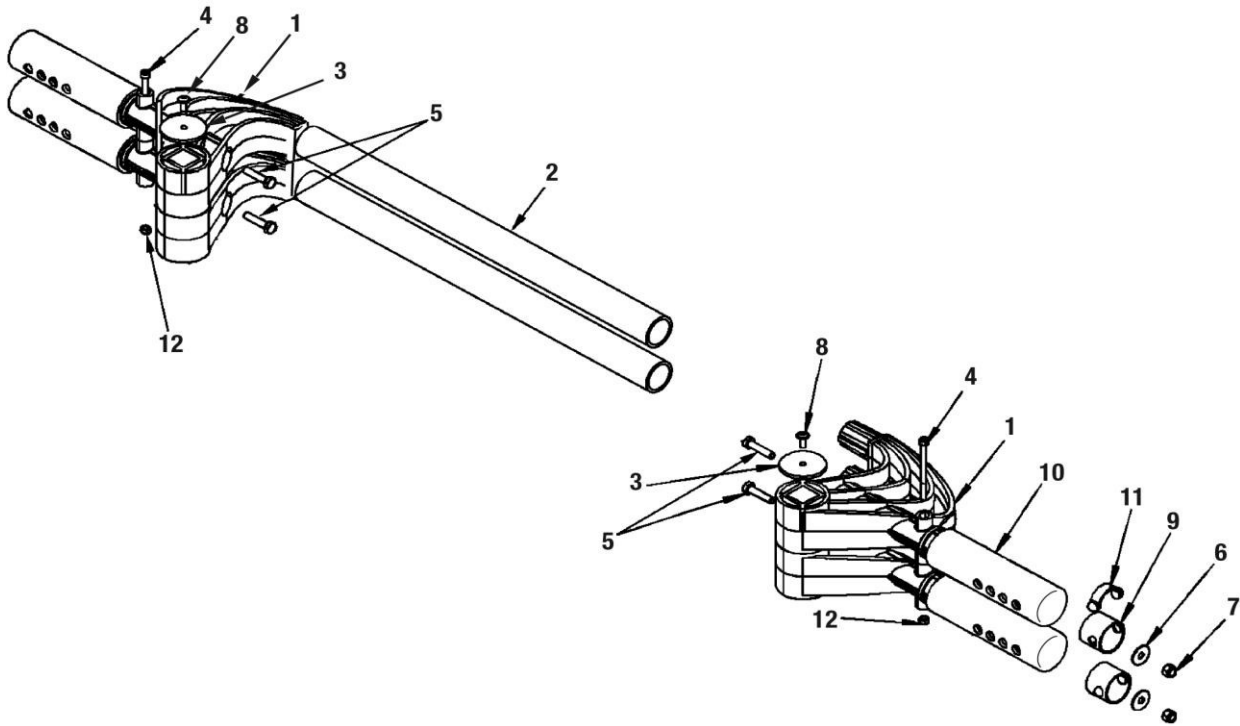
16 SCRUTINEERING TOOLS



16 SCRUTINEERING TOOLS

ITEM#	PART#	DESCRIPTION		
01	277390	COMBUSTION CHAMBER INSERT	6,51	7,95
02	277402	EXHAUST PORT HEIGHT TEMPLATE	25,91	31,61
03	277030	EXHAUST VALVE GAUGE	47,78	58,29
04	277400	CONTROL TEMPLATE CARBURETOR	14,26	17,39
05	277404	EXHAUST PORT HEIGHT TEMPLATE	29,26	35,69
06	277032	EXHAUST VALVE GAUGE	47,78	58,29
07	277406	PICKUP SENSOR HOLE GAGE	28,13	34,32
08	277391	GAUGE CRANKSHAFT	13,32	16,25
09	580132	TIN WIRE 3 MM-100 GR	5,29	6,45
10	580130	TIN WIRE 2 MM-100 GR	5,29	6,45
11	676034	FITTING MANDREL VENTURI	49,79	60,74
12	281920	JET GAUGE SET 0.45 - 1.50 MM	15,84	19,33
13	276233	ECU tester	573,02	699,08
14	276231	WIRING HARNESS TESTER	191,12	233,16

17 REAR TIRE PROTECTION SYSTEM



17 REAR TIRE PROTECTION SYSTEM

ITEM#	PART#	DESCRIPTION		
01	281570	REAR TIRE PROTECTION SYSTEM ASSY.	123,04	150,11
01	660600	REAR BUMPER	14,90	18,18
02	570060	REAR FENDER TUBE 40X3.7X550	9,26	11,30
03	570120	DISTANCE WASHER 52X4	1,28	1,56
04	241503	ALLEN SCREW ISO 4762 - M6x80 - 8.8	0,78	0,95
05	241342	HEX. SCREW ISO 4017 - M8X35 - 10.9	0,86	1,04
06	627960	WASHER 8/25/1.8	0,78	0,95
07	942031	LOCK NUT DIN 985-M8-8.8	0,72	0,88
08	440751	ALLEN SCREW W. ROUNDED FLANGE	0,78	0,95
09	233130	ANTIFRICTION BUSHING	3,25	3,97
10	570056	TYRE PROTECTION ROLLER 50X4.6X178	10,35	12,63
11	570080	SPRING ELEMENT	4,73	5,77
12	842041	LOCK NUT M6 - 6.6	0,34	0,41

18 ACCESSORIES



2



1



3



4



6



5

18 ACCESSORIES

ITEM#	PART#	DESCRIPTION		
01	276103	DIGITAL TIRE PRESSURE GAUGE	229,29	279,74
02	581381	DIGITAL HOURMETER ROTAX	47,37	57,79
03	581387	SYRINGE 50 ML	4,69	5,72
04	276220	JET HOLDER ROTAX	43,39	52,93
05	282142	FOLDABLE BOX 312X245X360	#N/V	#N/V
06	259800	ROTAX TRAX DEVICE	127,00	154,94

19 SERVICE PRODUCTS



B



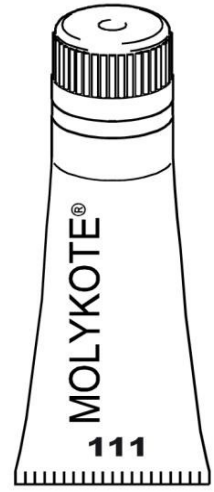
C



E



I



K

19 SERVICE PRODUCTS

ITEM#	PART#	DESCRIPTION		
01	897651	LOCTITE 243 BLUE. 10 CC.	14,82	18,08
02	899788	LOCTITE 648 GREEN. 5 CC	14,00	17,08
03	297438	LOCTITE ANTI SEIZE 8151 400 ML	45,02	54,92
04	897330	LITHIUM-BASE GREASE. 250 GR..	30,21	36,86
05	899564	GREASE KLUEBER ISOFLEX TOPAS NB 52 Illustration letter W	#N/V	#N/V

л

7

!

2

)



