

ILLUSTRATED ROTAX PARTS CATALOGUE 2026



ROTAX®

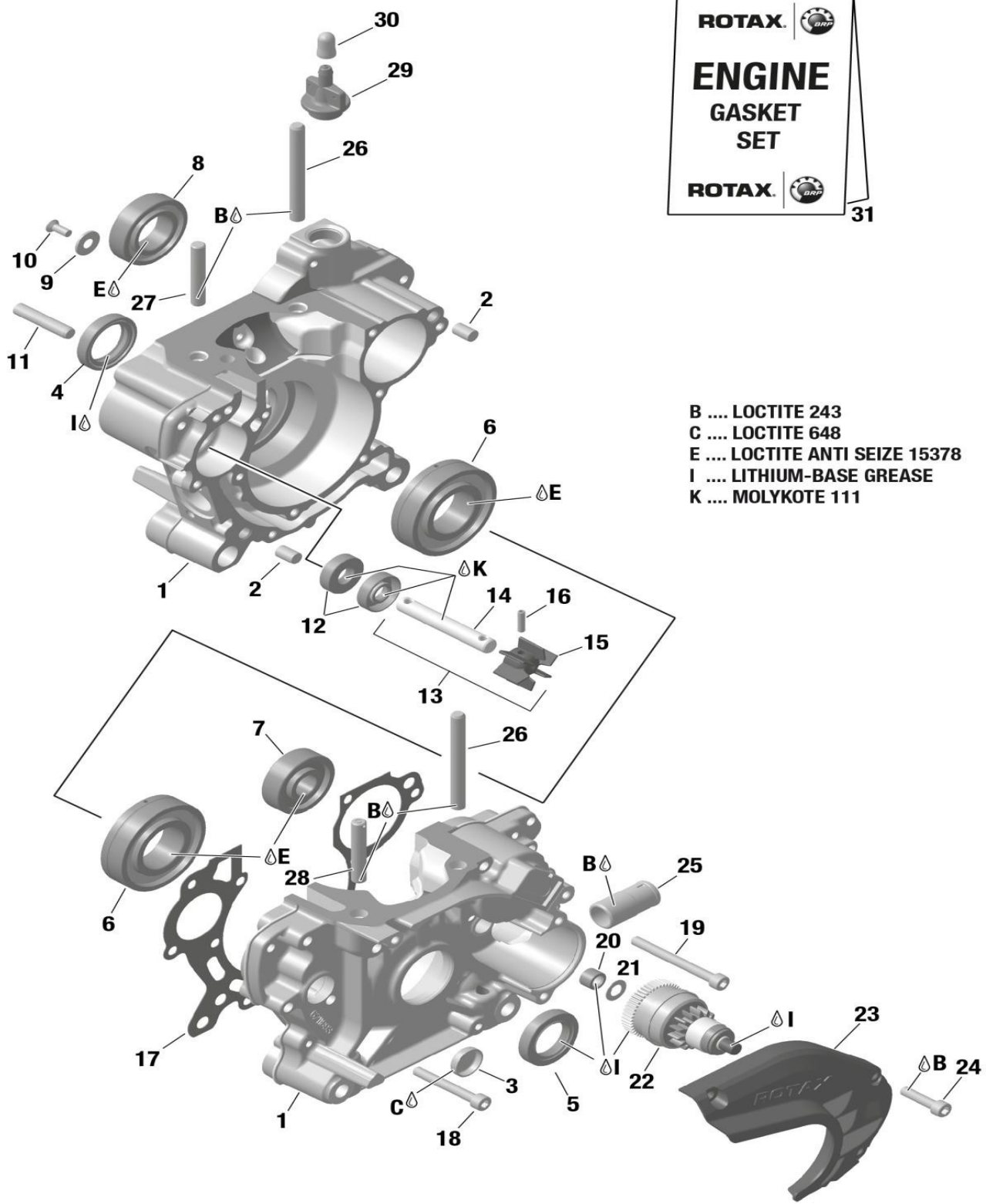
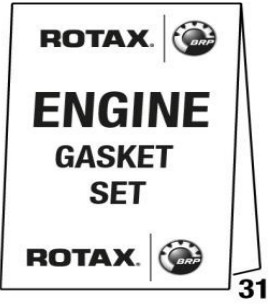
125 SENIOR MAX EVO	MODEL 36.0125.140
125 JUNIOR MAX EVO	MODEL 36.0125.130
125 MINI MAX EVO	MODEL 30.0125.132
125 MICRO MAX EVO	MODEL 30.0125.137



DESCRIPTION	PAGE
1 CRANKCASE, WATER PUMP, E-STARTER DRIVE	1
2 DRIVETRAIN, GEARBOX, BALANCE SHAFT	3
3 CYLINDER	7
4 E-RAVE SYSTEM	11
5 CENTRIFUGAL CLUTCH, SPROCKET	15
6 ELECTRONIC COMPONENTS	19
7 BATTERY, BATTERY CHARGER	23
8 WIRING HARNESS	25
9 CARBURETOR, CARBURETOR ACCESSORIES	27
10 RADIATOR, RADIATOR ACCESSORIES	31
11 INTAKE SILENCER, AIR FILTER	33
12 EXHAUST SYSTEM	35
13 EVO UPGRADE KIT IGNITION	37
14 EVO UPGRADE KIT E-RAVE	39
15 REPAIR TOOLS	41
16 SCRUTINEERING TOOLS	43
17 ACCESSORIES	45
18 SERVICE PRODUCTS	47

ETL2176 : Senior | ETL2177 : Junior | ETL2178 : Mini | ETL2179 : Micro

1 CRANKCASE, WATER PUMP, E-STARTER DRIVE



- B ... LOCTITE 243
- C ... LOCTITE 648
- E ... LOCTITE ANTI SEIZE 15378
- I ... LITHIUM-BASE GREASE
- K ... MOLYKOTE 111

1 CRANKCASE, WATER PUMP, E-STARTER DRIVE

ITEM#	PART#	DESCRIPTION	BREZ DDV	Z DDV
01	295915	CRANK CASE ASSY. Ill. no. 1-3 Black coated	603,56	736,34
02	632010	PIN 8X12 DIN 5402	1,51	1,84
03	427572	COVER 20 DIN 443 VZD B 20	1,55	1,89
04	230425	OIL SEAL AS 28X38X7 NBR	7,98	9,74
05	930675	OIL SEAL AS 25X38X7 NBR	7,98	9,74
06	832583	BALL BEARING 6206 TVH C4M 30-62-16	19,17	23,39
07	232291	BALL BEARING 6302 TN9C3/15-42-13	13,38	16,32
08	232341	BALL BEARING 6005 E C3/ 25-47-12	16,55	20,19
09	227280	THRUST WASHER	3,29	4,01
10	940316	COUNTERSUNK SCREW M5X12-5.8 Tightening torque 6 Nm	0,17	0,21
11	229380	LOCATING PIN 8 SMALL M6X40	2,45	2,99
12	230195	OIL SEAL A 10X26X7 NBR	4,91	5,99
13	220515	WATERPUMP SHAFT ASSY. Ill. no. 13-16	20,88	25,47
14	XXX	PUMP SHAFT		0,00
15	XXX	IMPELLER		0,00
16	229200	DOWEL 4X16	2,28	2,78
17	650494	GASKET	4,88	5,95
18	241823	ALLEN SCREW ISO 4762 - M6x45 - 8.8 Tightening torque 10 Nm	0,59	0,72
19	240373	ALLEN SCREW ISO 4762 - M6x60 - 8.8 Tightening torque 10 Nm	0,78	0,95
20	232276	NEEDLE BUSHING 8X12X8	6,11	7,45
21	227945	THRUST WASHER 8.5/15/0.5	0,81	0,99
22	294812	STARTER REDUCTION GEAR ASSY.	117,68	143,57
23	260772	CHAIN PROTECTION	31,04	37,87
24	840888	ALLEN SCREW ISO 4762 - M6x30 - 8.8 Tightening torque 5 Nm	0,44	0,54
25	224094	TUBE	4,46	5,44
26	940787	STUD M8X57/20 Tightening torque 5 Nm	2,85	3,48
27	241387	STUD M8X28/20 With hole. for sealing the engine Tightening torque 5 Nm	2,62	3,20
28	241382	STUD M8X28/20 Tightening torque 5 Nm	2,17	2,65
29	241925	AIR VENT SCREW M18X1.5	2,41	2,94
30	960770	CLOSURE CAP FOR IMPULSE JOINT	#N/V	#VREDN!
31	296160	ENGINE GASKET SET ASSY. Oil seal (Chap. 04) not included	44,05	53,74

2 DRIVETRAIN, GEARBOX, BALANCE SHAFT



2 DRIVETRAIN, GEARBOX, BALANCE SHAFT

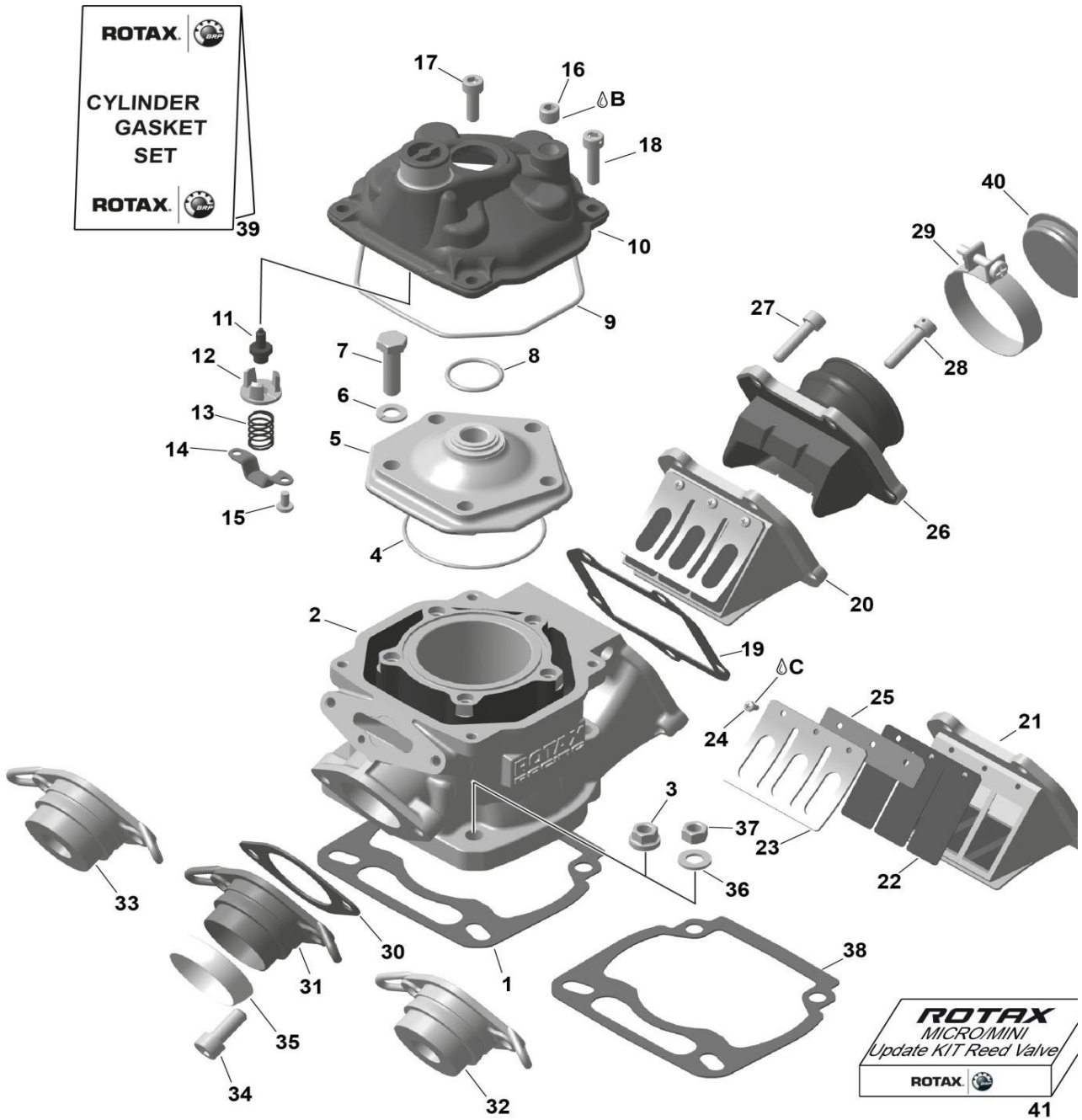
ITEM#	PART#	DESCRIPTION		
01	685096	CRANKSHAFT ASSY.	0,00	0,00
02	XXX	BALL BEARING 6206 TVH C4M See Chap. 1		0,00
03	237948	BALANCE SHAFT	61,08	74,52
04	XXX	BALL BEARING 6206 TN9/C See Chap. 1		0,00
05	XXX	BALL BEARING 6005 TNH C3 See Chap. 1		0,00
06	XXX	OIL SEAL AS 28x38x7 NBR See Chap. 1		0,00
07	430460	O-RING DIN 3771-18X3.5-N. NBR 70	1,56	1,90
08	234435	BALANCE GEAR 50 T	39,74	48,48
09	635850	WATER PUMP GEAR 19 T	13,45	16,41
10	945664	RETAINING RING WITH LUG DIN 983-20X1.2	0,56	0,68
11	827590	THRUST WASHER 10.1/17/1	0,98	1,20
12	232732	NEEDLE PIN B 4X15.8 G2 DIN 5402-3 1.3505	0,75	0,92
13	234415	WATER PUMP PINION 16 T	12,68	15,47
14	XXX	LOCATING PIN 8 SMALL M6x40 See Chap. 1		0,00
15	634035	IDLE GEAR 28/13 T.	12,61	15,38
16	650476	GASKET	5,52	6,73
17	211875	GEAR COVER Black coated	54,37	66,33
18	230415	SEALING RING A 6X10 DIN 7603	0,59	0,72
19	840866	ALLEN SCREW ISO 4762 - M6x25 - 8.8 Tightening torque 10 Nm	0,42	0,51
20	840888	ALLEN SCREW ISO 4762 - M6x30 - 8.8 Tightening torque 10 Nm	0,44	0,54
21	932027	NEEDLE CAGE K 15X19X20	22,22	27,11
22	295513	PISTON ASSY. 53.96 MM Ill. no. 22-23 Standard	95,17	116,11
22	295514	PISTON ASSY. 53.97 MM Ill. no. 22-23 Oversize	95,17	116,11
22	295515	PISTON ASSY. 53.98 MM Ill. no. 22-23 Oversize	95,17	116,11
22	295512	PISTON ASSY. 53.95 MM Ill. no. 22-23 Standard	95,17	116,11
22	295509	PISTON ASSY. 53.92 MM Ill. no. 22-23 Smaller size	95,17	116,11

2 DRIVETRAIN, GEARBOX, BALANCE SHAFT

ITEM#	PART#	DESCRIPTION		
22	295510	PISTON ASSY. 53.93 MM Ill. no. 22-23 Smaller size	95,17	116,11
22	295511	PISTON ASSY. 53.94 MM Ill. no. 22-23 Standard	95,17	116,11
23	215548	RECTANGULAR RING IS2-54/49.4X1 Original with ROTAX logo	34,85	42,52
24	216135	PISTON PIN 15X10/12.5X45.6	14,24	17,37
25	945635	CIRCLIP 15 Use only once	0,70	0,85
26	685011	CRANKSHAFT REPAIR KIT	237,96	290,31

This page intentionally left blank

3 CYLINDER



B LOCTITE 243
 C LOCTITE 648

3 CYLINDER

ITEM#	PART#	DESCRIPTION		
01	650482	GASKET 0.8 MM	3,25	3,97
01	650483	GASKET 0.4 MM	3,25	3,97
01	650481	GASKET 0.5 MM	3,25	3,97
01	431337	GASKET 0.2 MM Gasket for racing purpose only To ensure proper sealing please use Silicone Compound Grease 897061	3,25	3,97
01	650480	GASKET 0.3 MM	3,25	3,97
02	223991	CYLINDER NI SI C PLATED Single Core Digital Print	507,24	618,83
02	413530	CYLINDER NI SI C PLATED revised cylinder - ROTAX RACING	507,24	618,83
02	413531	CYLINDER NI SI C PLATED revised cylinder - ROTAX RACING	535,28	653,04
02	613372	CYLINDER NI SI C PLATED Single Core Digital Print	550,80	671,98
03	242707	COLLAR NUT M8 Tightening torque 24 Nm	3,00	3,66
04	250160	O-RING DIN 3771-64X2-N. FPM 75	3,29	4,01
05	223386	COMBUSTION CHAMBER INSERT	#N/V	#VREDN!
06	945832	LOCK WASHER DIN 128-A8-FST	0,11	0,13
07	940487	HEX.SCREW ISO 4017 - M8X30 - 10.9 Tightening torque 30 Nm	0,77	0,94
08	430782	O-RING DIN 3771-23.3X2.4-N. MVQ 60	2,41	2,94
09	250280	O-RING DIN 3771-105X2.5-N. NBR 70	3,09	3,77
10	613104	CYLINDER HEAD COVER RED	79,08	96,48
11	222125	THERMOSTAT. 45 DEGR. Optional	11,38	13,88
12	222175	THERMOSTAT HOLDER Optional	4,79	5,84
13	239950	COMPRESSION SPRING Optional	2,67	3,26
14	222202	THERMOSTAT RETAINING BRACKET Optional	4,74	5,78
15	240196	TAPTITE-SCREW M4X8 Tightening torque 3 Nm Optional	0,98	1,20
16	641323	PLUG SCREW M10X1 DIN 906 - MK Tightening torque 10 Nm	2,42	2,95
17	241935	ALLEN SCREW ISO 4762 - M6x20 - 8.8 Tightening torque 10 Nm	0,34	0,41
18	641361	ALLEN SCREW M6X25 With hole for sealing the engine Tightening torque 10 Nm	2,59	3,16

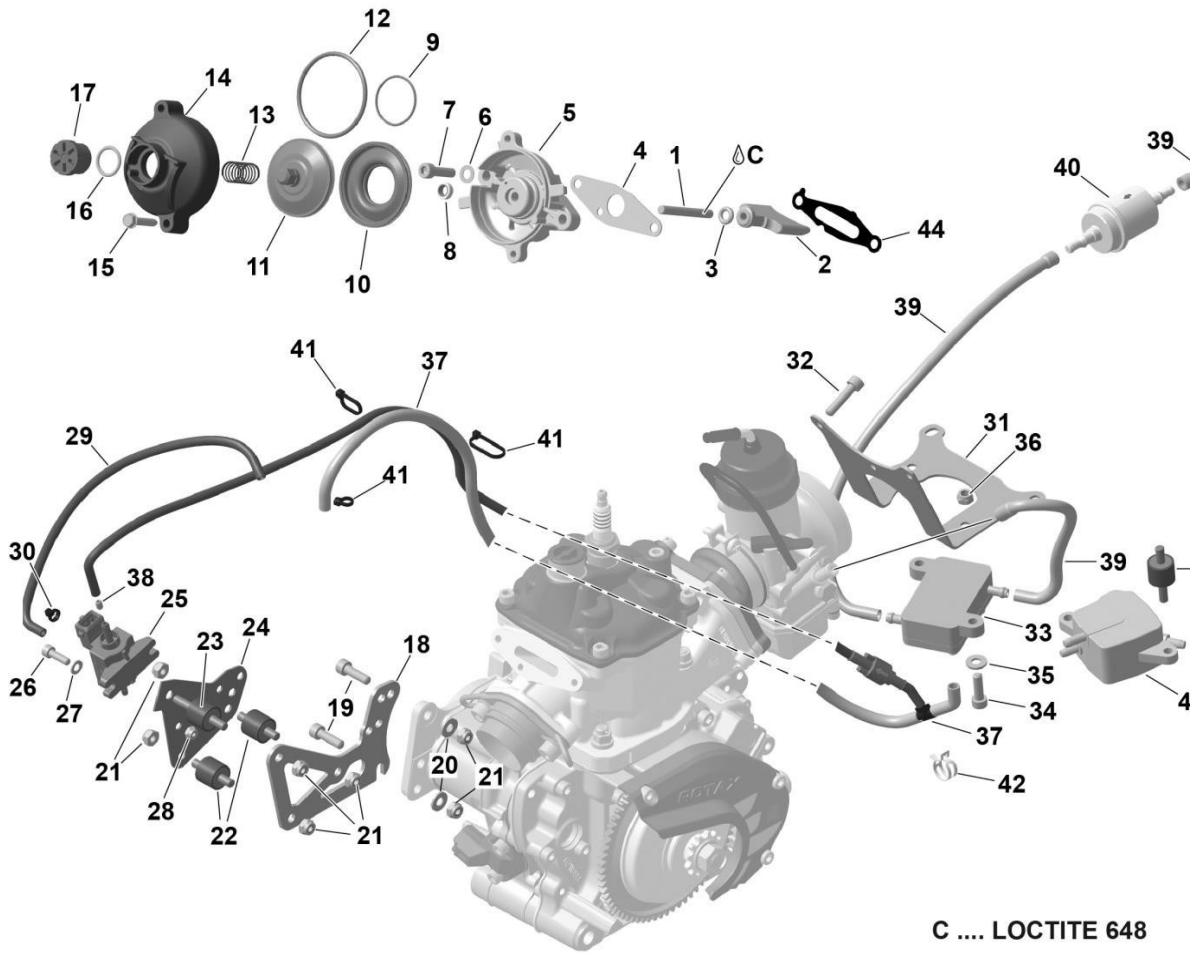
3 CYLINDER

ITEM#	PART#	DESCRIPTION		
19	250523	GASKET	2,84	3,46
20	224382	REED VALVE ASSY.	80,23	97,88
20	224380	REED VALVE ASSY. PROD. 2020	71,90	87,72
20	224389	REED VALVE ASSY. PROD. 2019	39,56	48,26
21	XXX	REED VALVE		0,00
22	224431	REED PETAL	11,12	13,57
23	XXX	REED VALVE STOP		0,00
24	241035	TORX-TR-SCREW 3X6 - VIBRALOK Vibrlok FOR REED BLOCK 224380 ONLY	0,21	0,26
24	240351	OVAL HEAD SCREW M3X6 DIN 7985 Tightening torque 1.5-2 Nm	0,10	0,12
25	224390	DISTANCE PLATE	#N/V	#VREDN!
26	267916	CARBURETOR FLANGE 42.5 MM	50,57	61,70
27	840866	ALLEN SCREW ISO 4762 - M6x25 - 8.8 Tightening torque 7 Nm	0,42	0,51
28	641361	ALLEN SCREW M6X25 With hole for sealing the engine Tightening torque 7 Nm	2,59	3,16
29	251850	HOSE CLAMP 51 Tightening torque 10 Nm	2,54	3,10
30	250271	GASKET	3,29	4,01
31	273190	EXHAUST SOCKET Diameter 37 mm For 125 JUNIOR MAX evo / MAX evo only	22,93	27,97
32	273196	EXHAUST SOCKET 22 MM Diameter 22 mm	30,68	37,43
33	273192	EXHAUST SOCKET Diameter 18 mm	30,68	37,43
34	240072	ALLEN SCREW ISO 4762 - M8x20 - 8.8 Tightening torque 20 Nm	0,45	0,55
35	450360	EXHAUST GASKET	11,41	13,92
36	250315	WASHER ISO 7093 - 8 - 200HV as required	0,56	0,68
37	942674	HEX. NUT M8 (WS 11mm) as required	1,37	1,67
38	626420	RESTRICTION PLATE	29,53	36,03
39	296161	GASKET SET ASSY. CYLINDER Oil seal (Chap. 4) not included in gasket kit	31,81	38,81

3 CYLINDER

ITEM#	PART#	DESCRIPTION		
40	860891	DISK PLUG Only for transportation Remove before operation!	1,29	1,57
41	281551	UPDATE KIT REED VALVE MICRO/MINI MAX upgrade 224380 to 224382	11,34	13,83

4 E-RAVE SYSTEM



4 E-RAVE SYSTEM

ITEM#	PART#	DESCRIPTION		
01	441358	STUD M6X52.5 MK Tightening torque 10 Nm	5,02	6,12
02	253721	EXHAUST VALVE revised - coated	28,56	34,84
02	253725	EXHAUST VALVE	27,65	33,73
03	230261	O-RING DIN 3771-6X2.5 NBR 70 RED	1,73	2,11
04	250523	GASKET	2,84	3,46
05	253385	VALVE ROD HOUSING KPL.	47,79	58,30
06	845020	SPRING WASHER B6	0,11	0,13
07	840866	ALLEN SCREW ISO 4762 - M6x25 - 8.8 Tightening torque 10 Nm	0,42	0,51
08	930500	OIL SEAL 6X11X3/4.5	4,11	5,01
09	838255	HOSE SPRING 70-1.7-0.3	1,56	1,90
10	260723	BELLOW	13,65	16,65
11	854440	EXHAUST VALVE PISTON Tightening torque 1-2 Nm	14,21	17,34
12	939280	HOSE SPRING 134-3.0-0.65	0,00	0,00
13	239952	COMPRESSION SPRING 48.5/0.8 MM	3,53	4,31
14	911559	VALVE COVER	15,01	18,31
15	241271	TAPTITE-SCREW M5X25	0,73	0,89
16	430220	O-RING 15.9-2.3	0,73	0,89
17	241220	ADJUSTMENT SCREW	7,65	9,33
18	651935	RETAINING PLATE	14,86	18,13
19	241935	ALLEN SCREW ISO 4762 - M6x20 - 8.8 Tightening torque 10 Nm	0,34	0,41
20	244211	WASHER 6.4 DIN 134	0,17	0,21
21	842041	LOCK NUT M6 - 6.6	0,34	0,41
22	660522	RUBBER BUFFER 18X15XM6	5,93	7,23
23	660520	RUBBER BUFFER 18X15XM6	5,93	7,23
24	651925	MOUNTING PLATE	9,52	11,61
25	664630	SOLENOID VALVE	27,68	33,77
26	840514	ALLEN SCREW ISO 4762 - M5x16 - 8.8	0,34	0,41
27	927574	WASHER 5.3 DIN 125	0,11	0,13
28	842032	LOCK NUT M5-6.6	0,34	0,41
29	660574	PRESSURE LINE 280 MM	1,99	2,43
30	866718	TIE WRAP 94x2.5 MM	0,07	0,09
31	XXX	SUPPORT BRACKET See Chap. 11		0,00
32	XXX	ALLEN SCREW M6x25 See Chap. 3		0,00
33	XXX	MIKUMI FUEL-PUMP See Chap. 9		0,00

4 E-RAVE SYSTEM

ITEM#	PART#	DESCRIPTION		
34	241935	ALLEN SCREW ISO 4762 - M6x20 - 8.8 Tightening torque 10 Nm	0,34	0,41
35	244211	WASHER 6.4 DIN 134	0,17	0,21
36	842041	LOCK NUT M6 - 6.6	0,34	0,41
37	651013	HOSE PACKAGE RAVE CONTROL UNIT	43,01	52,47
38	956305	IMPULSE NOZZLE	3,59	4,38
39	XXX	TUBE A5x8 / 2500 mm See Chap. 9		0,00
40	274161	FUEL FILTER WITH ROTAX PRINT	6,62	8,08
41	866714	TIE WRAP 142x3.2 MM	0,09	0,11
42	251978	SPRING TYPE CLAMP 10	1,01	1,23
43	994487	FUEL PUMP	49,10	59,90
44	251336	SUPPORT PLATE Do not use for cylinders with ROTAX RACING Logo	1,55	1,89
45	281377	UPGRADE KIT 125 MAX EVO Contains all parts for retrofitting engine from version 125 JUNIOR MAX evo to 125 MAX evo. (E- rave). without E-Box 125 MAX evo	675,63	824,27
46	281557	DOWNGRADE KIT 125 MICRO MAX EVO Contains all parts for retrofitting engine from version 125 JUNIOR MAX evo to 125 MICRO MAX evo	334,23	407,76
47	281341	RETROFIT KIT FUEL PUMP MAX	87,88	107,21

This page intentionally left blank

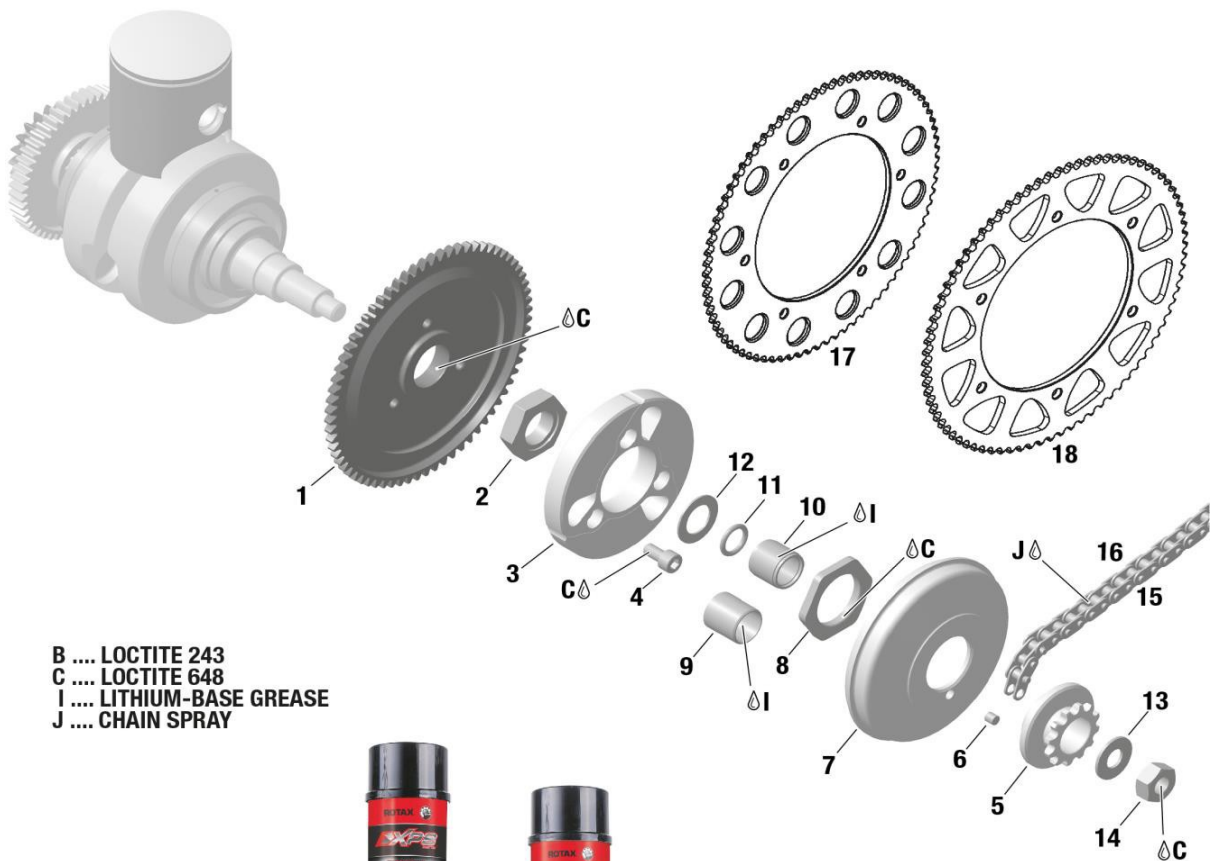
5 CENTRIFUGAL CLUTCH, SPROCKET



15



16



- B LOCTITE 243
- C LOCTITE 648
- I LITHIUM-BASE GREASE
- J CHAIN SPRAY



RECOMMENDED

XPS® KART TEC WHITE CHAIN SPRAY
Part No: 25112 Contents: 500 ml

XPS® KART TEC SYNTHETIC CHAIN SPRAY
Part No: 25108 Contents: 500 ml



19

5 CENTRIFUGAL CLUTCH, SPROCKET

ITEM#	PART#	DESCRIPTION		
01	434840	STARTER GEAR 70 T	129,32	157,77
02	842319	HEX. NUT M20X1.5 Tightening torque 110 +/- 5% Nm	11,44	13,96
03	659907	CLUTCH	112,05	136,70
04	840036	ALLEN SCREW M6X12 DIN 912 Tightening torque 20 Nm	0,56	0,68
05	236877	SPROCKET 11 Z Ill. no. 5-6 Optional. Original with ROTAX logo Configuration with plain bearing (Pos. 10)	25,55	31,17
05	636021	SPROCKET 12 Z Ill. no. 5-6 Optional. Original with ROTAX logo Configuration with needle bearing (Pos. 10)	27,22	33,21
05	636025	SPROCKET 16 Z Ill. no. 5-6 Optional. Original with ROTAX logo Configuration with needle bearing (Pos. 10)	27,22	33,21
05	636023	SPROCKET 14 Z Ill. no. 5-6 Optional. Original with ROTAX logo Configuration with needle bearing (Pos. 10)	27,22	33,21
05	636022	SPROCKET 13 Z Ill. no. 5-6 Optional. Original with ROTAX logo Configuration with needle bearing (Pos. 10)	27,22	33,21
05	636024	SPROCKET 15 Z Ill. no. 5-6 Optional. Original with ROTAX logo Configuration with needle bearing (Pos. 10)	27,22	33,21
06	232365	NEEDLE PIN 5X5	1,62	1,98
07	659939	CLUTCH DRUM Marked *ROTAX*	45,65	55,69
07	659939	CLUTCH DRUM Marked *ROTAX +*	45,65	55,69
08	242925	HEX. NUT M28X1 HEIGHT 4.6 Tightening torque 120 Nm	6,81	8,31
09	233855	PLAIN BEARING 15x17x17.6 For chain sprocket 11 T only	7,36	8,98

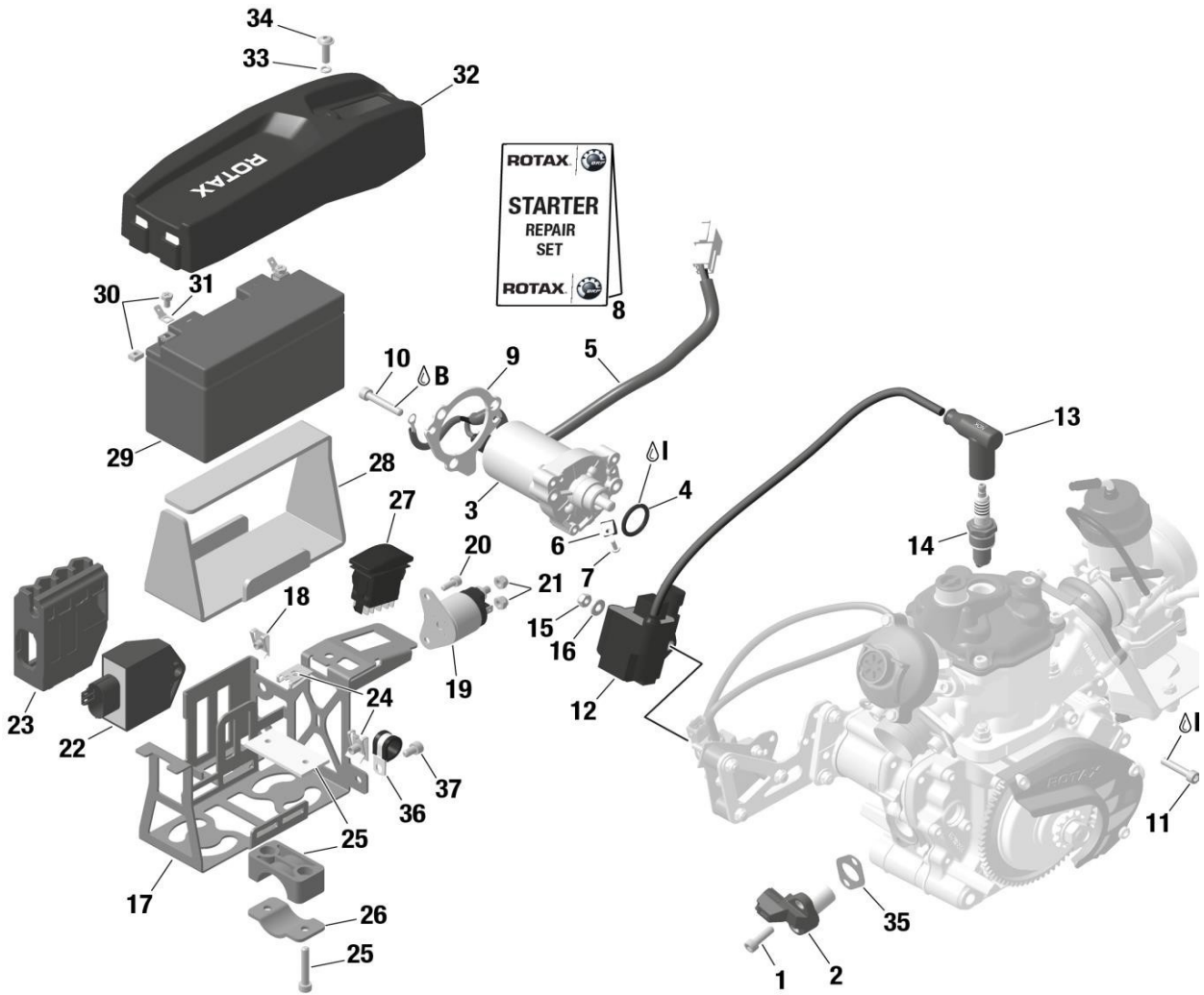
5 CENTRIFUGAL CLUTCH, SPROCKET

ITEM#	PART#	DESCRIPTION		
10	632415	NEEDLE CAGE K 15X19X17 For chain sprockets 12 T. 13 T. 14 T. 15 T. 16 T only	9,71	11,85
11	950815	O-RING DIN 3771-12X2.5-N. NBR 70	1,28	1,56
12	927057	THRUST WASHER 15.2/25/1	2,45	2,99
13	627340	THRUST WASHER 10/22/1.5 For chain sprockets with 12-16 teeth	1,79	2,18
13	627345	THRUST WASHER 10/19/1.5 For chain sprockets with 11 teeth only	1,79	2,18
14	942951	HEX. NUT ISO 8673 - M10X1 - 8 Tightening torque 35 Nm	1,45	1,77
15	582472	KART CHAIN O-RING 219/102 LINKS	68,69	83,80
15	582473	KART CHAIN O-RING 219/104 LINKS	69,77	85,12
15	582474	KART CHAIN O-RING 219/106 LINKS	70,81	86,39
15	582458	KART CHAIN 219/94 LINKS	32,29	39,39
15	582471	KART CHAIN O-RING 219/100 LINKS	67,65	82,53
15	582475	KART CHAIN O-RING 219/108 LINKS	71,90	87,72
15	582478	KART CHAIN O-RING 219/114 LINKS	75,07	91,59
15	582470	KART CHAIN O-RING 219/98 LINKS	66,40	81,01
15	582476	KART CHAIN O-RING 219/110 LINKS	72,96	89,01
15	582477	KART CHAIN O-RING 219/112 LINKS	74,03	90,32
16	582467	KART CHAIN 219/112 LINKS	37,94	46,29
16	582468	KART CHAIN 219/114 LINKS	38,50	46,97
16	582459	KART CHAIN 219/96 LINKS	32,91	40,15
16	582460	KART CHAIN 219/98 LINKS	33,52	40,89
16	582466	KART CHAIN 219/110 LINKS	37,32	45,53
16	582465	KART CHAIN 219/108 LINKS	36,74	44,82
16	582463	KART CHAIN 219/104 LINKS	35,33	43,10
16	582464	KART CHAIN 219/106 LINKS	35,96	43,87
16	582461	KART CHAIN 219/100 LINKS	34,10	41,60
16	582462	KART CHAIN 219/102 LINKS	34,72	42,36
17	436224	219 CHAIN SPROCKET 79 TEETH STD AL GOLD	28,22	34,43
17	436228	219 CHAIN SPROCKET 83 TEETH STD AL GOLD	28,22	34,43
17	436225	219 CHAIN SPROCKET 80 TEETH STD AL GOLD	28,22	34,43
17	436226	219 CHAIN SPROCKET 81 TEETH STD AL GOLD	28,22	34,43
17	436227	219 CHAIN SPROCKET 82 TEETH STD AL GOLD	28,22	34,43
17	436211	219 CHAIN SPROCKET 66 TEETH STD AL GOLD	22,93	27,97
17	436210	219 CHAIN SPROCKET 65 TEETH STD AL GOLD	22,93	27,97
17	436216	219 CHAIN SPROCKET 71 TEETH STD AL GOLD	25,28	30,84
17	436212	219 CHAIN SPROCKET 67 TEETH STD AL GOLD	22,93	27,97
17	436215	219 CHAIN SPROCKET 70 TEETH STD AL GOLD	25,28	30,84
17	436214	219 CHAIN SPROCKET 69 TEETH STD AL GOLD	22,93	27,97
17	436213	219 CHAIN SPROCKET 68 TEETH STD AL GOLD	22,93	27,97

5 CENTRIFUGAL CLUTCH, SPROCKET

ITEM#	PART#	DESCRIPTION		
17	436217	219 CHAIN SPROCKET 72 TEETH STD AL GOLD	25,28	30,84
17	436221	219 CHAIN SPROCKET 76 TEETH STD AL GOLD	28,22	34,43
17	436222	219 CHAIN SPROCKET 77 TEETH STD AL GOLD	28,22	34,43
17	436223	219 CHAIN SPROCKET 78 TEETH STD AL GOLD	28,22	34,43
17	436220	219 CHAIN SPROCKET 75 TEETH STD AL GOLD	28,22	34,43
17	436219	219 CHAIN SPROCKET 74 TEETH STD AL GOLD	25,28	30,84
17	436218	219 CHAIN SPROCKET 73 TEETH STD AL GOLD	25,28	30,84
18	436051	219 CHAIN SPROCKET 66 TEETH HQ AL BLACK	26,45	32,27
18	436052	219 CHAIN SPROCKET 67 TEETH HQ AL BLACK	26,45	32,27
18	436058	219 CHAIN SPROCKET 73 TEETH HQ AL BLACK	27,63	33,71
18	436059	219 CHAIN SPROCKET 74 TEETH HQ AL BLACK	27,63	33,71
18	436053	219 CHAIN SPROCKET 68 TEETH HQ AL BLACK	26,45	32,27
18	436050	219 CHAIN SPROCKET 65 TEETH HQ AL BLACK	26,45	32,27
18	436068	219 CHAIN SPROCKET 83 TEETH HQ AL BLACK	32,92	40,16
18	436054	219 CHAIN SPROCKET 69 TEETH HQ AL BLACK	26,45	32,27
18	436055	219 CHAIN SPROCKET 70 TEETH HQ AL BLACK	27,63	33,71
18	436070	219 CHAIN SPROCKET 85 TEETH HQ AL BLACK	32,92	40,16
18	436071	219 CHAIN SPROCKET 86 TEETH HQ AL BLACK	32,92	40,16
18	436069	219 CHAIN SPROCKET 84 TEETH HQ AL BLACK	32,92	40,16
18	436060	219 CHAIN SPROCKET 75 TEETH HQ AL BLACK	29,40	35,87
18	436067	219 CHAIN SPROCKET 82 TEETH HQ AL BLACK	32,92	40,16
18	436075	219 CHAIN SPROCKET 90 TEETH HQ AL BLACK	37,63	45,91
18	436078	219 CHAIN SPROCKET 93 TEETH HQ AL BLACK	37,63	45,91
18	436074	219 CHAIN SPROCKET 89 TEETH HQ AL BLACK	35,27	43,03
18	436072	219 CHAIN SPROCKET 87 TEETH HQ AL BLACK	35,27	43,03
18	436073	219 CHAIN SPROCKET 88 TEETH HQ AL BLACK	35,27	43,03
18	436057	219 CHAIN SPROCKET 72 TEETH HQ AL BLACK	27,63	33,71
18	436063	219 CHAIN SPROCKET 78 TEETH HQ AL BLACK	29,40	35,87
18	436056	219 CHAIN SPROCKET 71 TEETH HQ AL BLACK	27,63	33,71
18	436061	219 CHAIN SPROCKET 76 TEETH HQ AL BLACK	29,40	35,87
18	436066	219 CHAIN SPROCKET 81 TEETH HQ AL BLACK	30,57	37,30
18	436062	219 CHAIN SPROCKET 77 TEETH HQ AL BLACK	29,40	35,87
18	436064	219 CHAIN SPROCKET 79 TEETH HQ AL BLACK	30,57	37,30
18	436065	219 CHAIN SPROCKET 80 TEETH HQ AL BLACK	30,57	37,30
19	281721	RETROFIT KIT CLUTCH 125 MAX	351,35	428,65

6 ELECTRONIC COMPONENTS



B LOCTITE 243
I LITHIUM-BASE GREASE

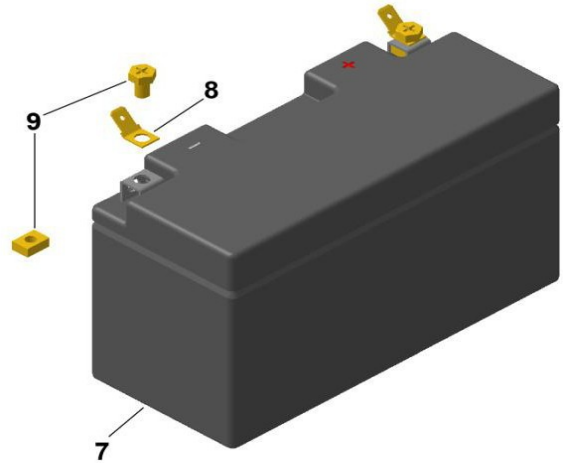
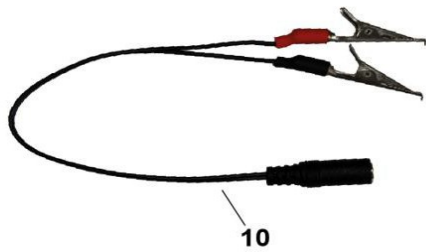
6 ELECTRONIC COMPONENTS

ITEM#	PART#	DESCRIPTION		
01	941251	TAPTITE-SCREW M6X20 Use for crank cases with non-machined pick-up sensor flange (before crank case 295915)	0,73	0,89
01	241935	ALLEN SCREW ISO 4762 - M6x20 - 8.8 Tightening torque 10 Nm	0,34	0,41
02	265560	PICK UP SENSOR Incl. rubber gasket; rubber gasket not available separately	56,18	68,54
03	294805	ELECTRIC STARTER ASSY. Ill. no. 3-7	162,64	198,42
04	XXX	O-RING Incl. In repair kit E-Starter 281262		0,00
05	265532	CABLE ASSY.	13,32	16,25
06	651940	CABLE CLAMP	2,42	2,95
07	XXX	SCREW M3x8 Incl. In repair kit E-Starter 281262		0,00
08	281262	REPAIR KIT (ELECTRIC STARTER) Content: 2 x SCREW M3x8 2 x COMPRESSION SPRING 1 x CARBON BRUSH LEFT 1 x CARBON BRUSH RIGHT 1 x O-RING	16,45	20,07
09	251670	STARTER SUPPORT	4,80	5,86
10	241814	ALLEN SCREW M6X35 ISO 4762-8.8 Tightening torque 10 Nm	0,44	0,54
11	840888	ALLEN SCREW ISO 4762 - M6x30 - 8.8 Tightening torque 10 Nm	0,44	0,54
12	666826	IGNITION COIL Ill. no. 12-13 With spark plug cap 866708 (black)	89,81	109,57
12	666826	IGNITION COIL Ill. no. 12-13 With spark plug cap 866707 (red)	89,81	109,57
13	866700	SPARK PLUG CONNECTOR Standard (red). short cap	21,34	26,03
14	298102	SPARK PLUG NGK GR8DI 125 MAX evo serial production	18,62	22,72
14	298103	SPARK PLUG NGK GR9DI Optional	18,62	22,72
15	842041	LOCK NUT M6 - 6.6	0,34	0,41
16	244211	WASHER 6.4 DIN 134	0,17	0,21
17	251129	BATTERY CLAMP With additional p-clamp mounting	45,51	55,52

6 ELECTRONIC COMPONENTS

ITEM#	PART#	DESCRIPTION		
18	842680	SHEET NUT M5	1,31	1,60
19	992819	STARTER RELAY ASSY.	36,04	43,97
20	640542	ALLEN SCREW ISO 4762 - M5x12 - 8.8	0,38	0,46
21	842041	LOCK NUT M6 - 6.6	0,34	0,41
22	666818	ELECTRONIC BOX MINI MAX	170,50	208,01
22	666815	ELECTRONIC BOX MAX	170,50	208,01
22	666813	ELECTRONIC BOX JUNIOR MAX	170,50	208,01
23	201900	RUBBER PAD	12,35	15,07
24	242141	SHEET NUT M6	1,31	1,60
25	251254	PIPE CLAMP SET Ill. no. 25-26	11,88	14,49
26	251360	PIPE CLAMP	2,91	3,55
27	264854	MULTIPLE FUNCTION SWITCH	33,00	40,26
28	660767	RUBBER PAD	19,40	23,67
29	265516	BATTERY 12 V-6.5Ah UNFILLED RTX Dangerous goods	88,19	107,59
30	481380	BATTERY FIXATION KIT	3,27	3,99
31	864950	FLAT CONNECTOR	0,30	0,37
32	201602	BATTERY COVER	27,30	33,31
33	831929	O-RING DIN 3771-5X2-N. FPM 75	0,72	0,88
34	440761	ALLEN SCREW W. ROUNDED FLANGE HEAD	0,78	0,95
35	431500	GASKET Use for crank cases with non-machined pick-up sensor flange (before crank case 295915)	1,43	1,74
36	851492	CABLE CLAMP 15/M6 For attachment of the wiring harness to the battery holder	2,77	3,38
37	241081	ALLEN SCREW M6X10 DIN 912 For attachment of the wiring harness to the battery holder	0,30	0,37

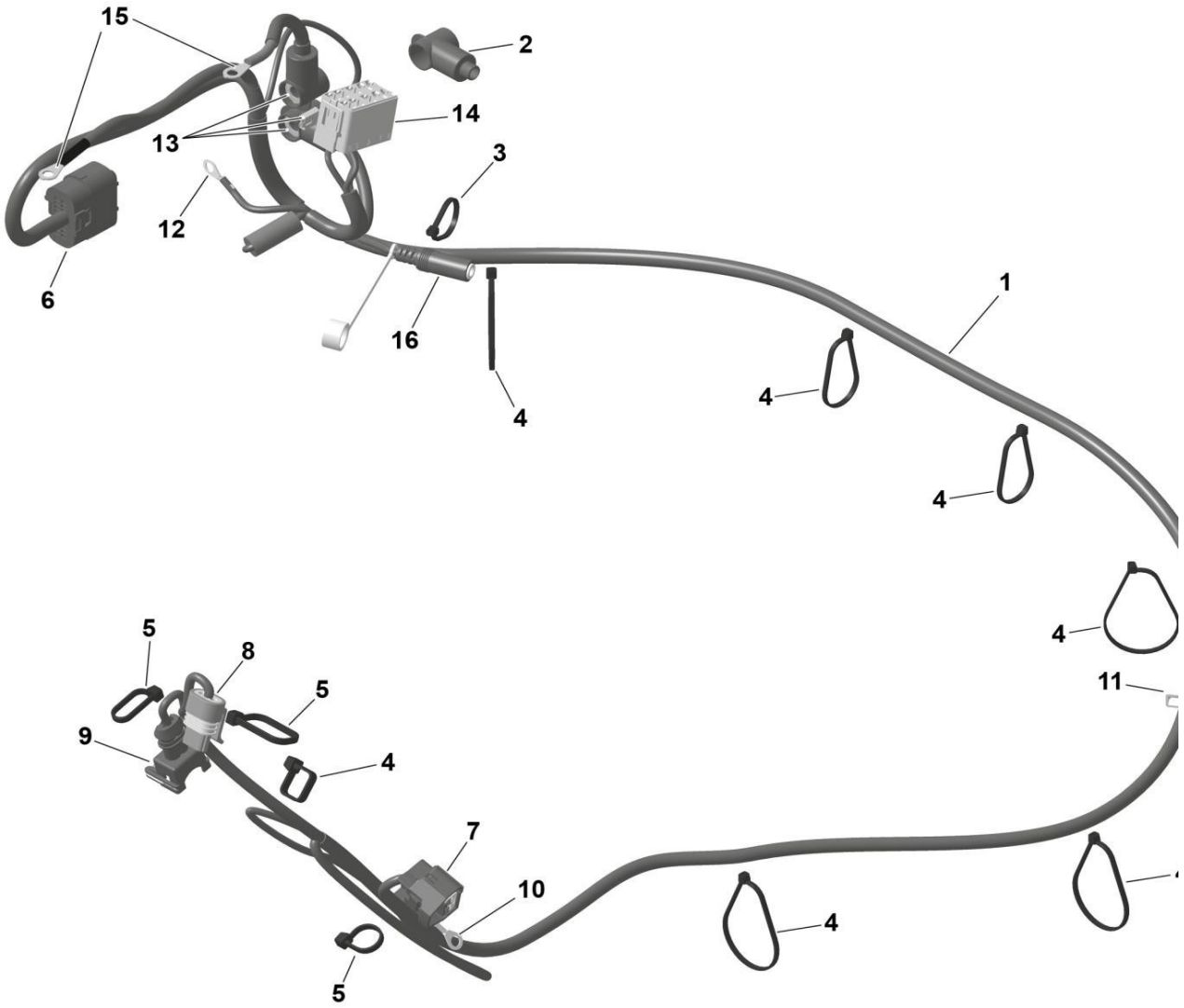
This page intentionally left blank
7 BATTERY, BATTERY CHARGER



7 BATTERY, BATTERY CHARGER

ITEM#	PART#	DESCRIPTION		
01	265148	BATTERY CHARGER	55,74	68,00
02	266018	ADAPTER-ROW	3,71	4,53
03	266010	ADAPTER-EURO	2,93	3,57
04	266012	ADAPTER-UK	2,93	3,57
05	266014	ADAPTER-USA	2,93	3,57
06	266016	ADAPTER-AUSTRALIA	2,93	3,57
07	265516	BATTERY 12 V-6.5Ah UNFILLED RTX Ill. no. 7-9 cannot be ordered via airfreight	88,19	107,59
08	864950	FLAT CONNECTOR	0,30	0,37
09	481380	BATTERY FIXATION KIT	3,27	3,99
10	266022	CONNECTOR CABLE FOR BATTERY CHARGER	13,10	15,98
11	265031	ROTAX Lithium Battery 12V / 4Ah Not available via airfreight	251,13	306,38
12	581325	BATTERY CHARGER OPTIMATE LITHIUM EU connector only Must not be used in Japan	152,29	185,79

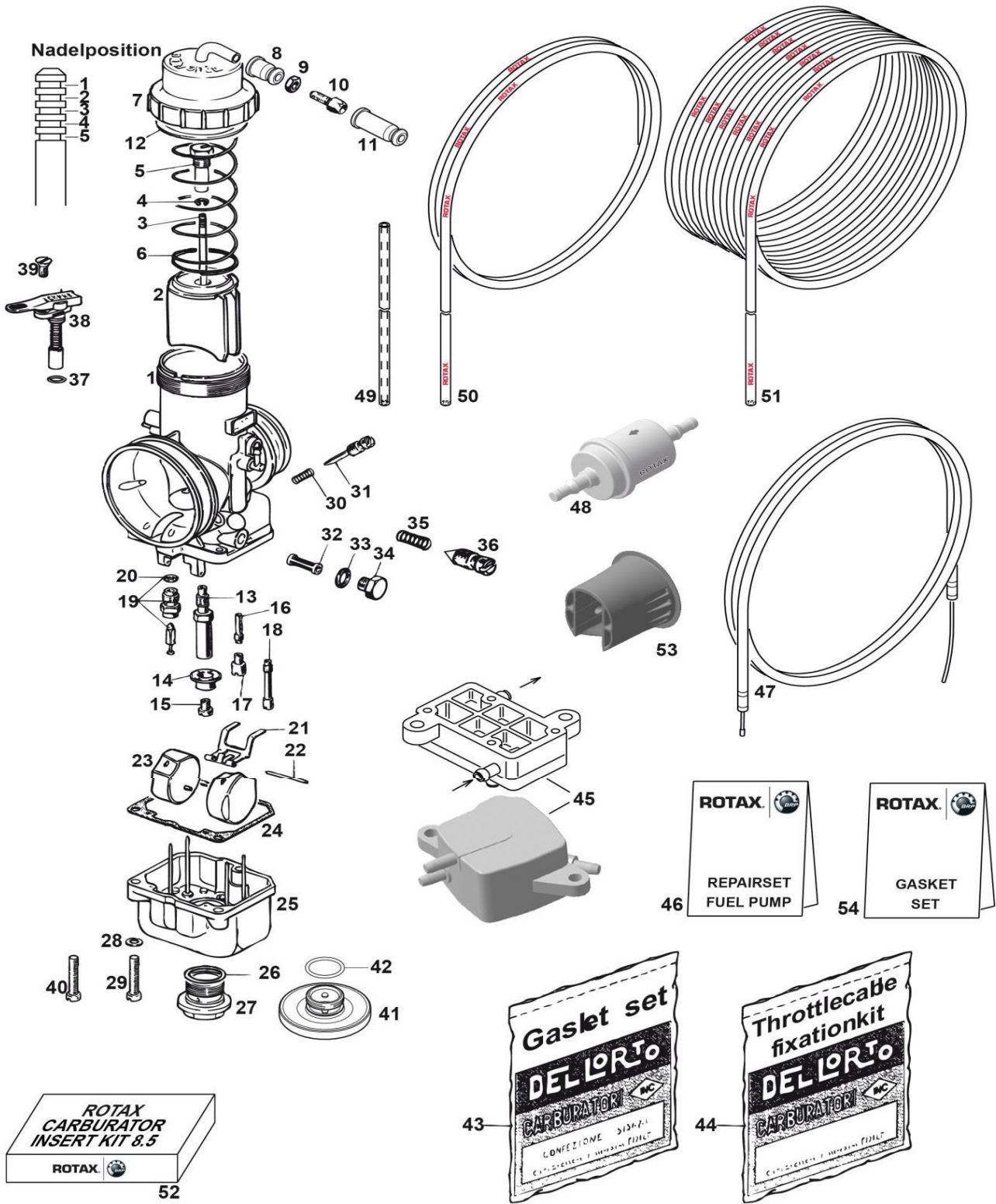
8 WIRING HARNESS



8 WIRING HARNESS

ITEM#	PART#	DESCRIPTION		
01	666836	WIRING HARNESS	112,53	137,29
02	666904	RELAY CAP	2,98	3,64
03	866718	TIE WRAP 94x2.5 MM	0,07	0,09
04	651397	TIE WRAP 250X4.8 MM	0,20	0,24
05	866714	TIE WRAP 142x3.2 MM	0,09	0,11
06	XXX	CONNECTOR ECU		0,00
07	XXX	CONNECTOR PICK UP SENSOR		0,00
08	XXX	CONNECTOR IGNITION COIL		0,00
09	XXX	CONNECTOR RAVE		0,00
10	XXX	CONNECTOR SHIFT CONTACT		0,00
11	XXX	CONNECTOR STARTER		0,00
12	XXX	CONNECTOR GROUND		0,00
13	XXX	CONNECTOR STARTER RELAY		0,00
14	XXX	CONNECTOR MULTIPLE FUNCTION SWITCH		0,00
15	XXX	CONNECTOR BATTERY		0,00
16	XXX	CONNECTOR BATTERY CHARGER		0,00

9 CARBURETOR, CARBURETOR ACCESSORIES



9 CARBURETOR, CARBURETOR ACCESSORIES

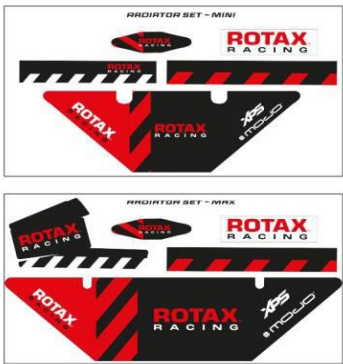
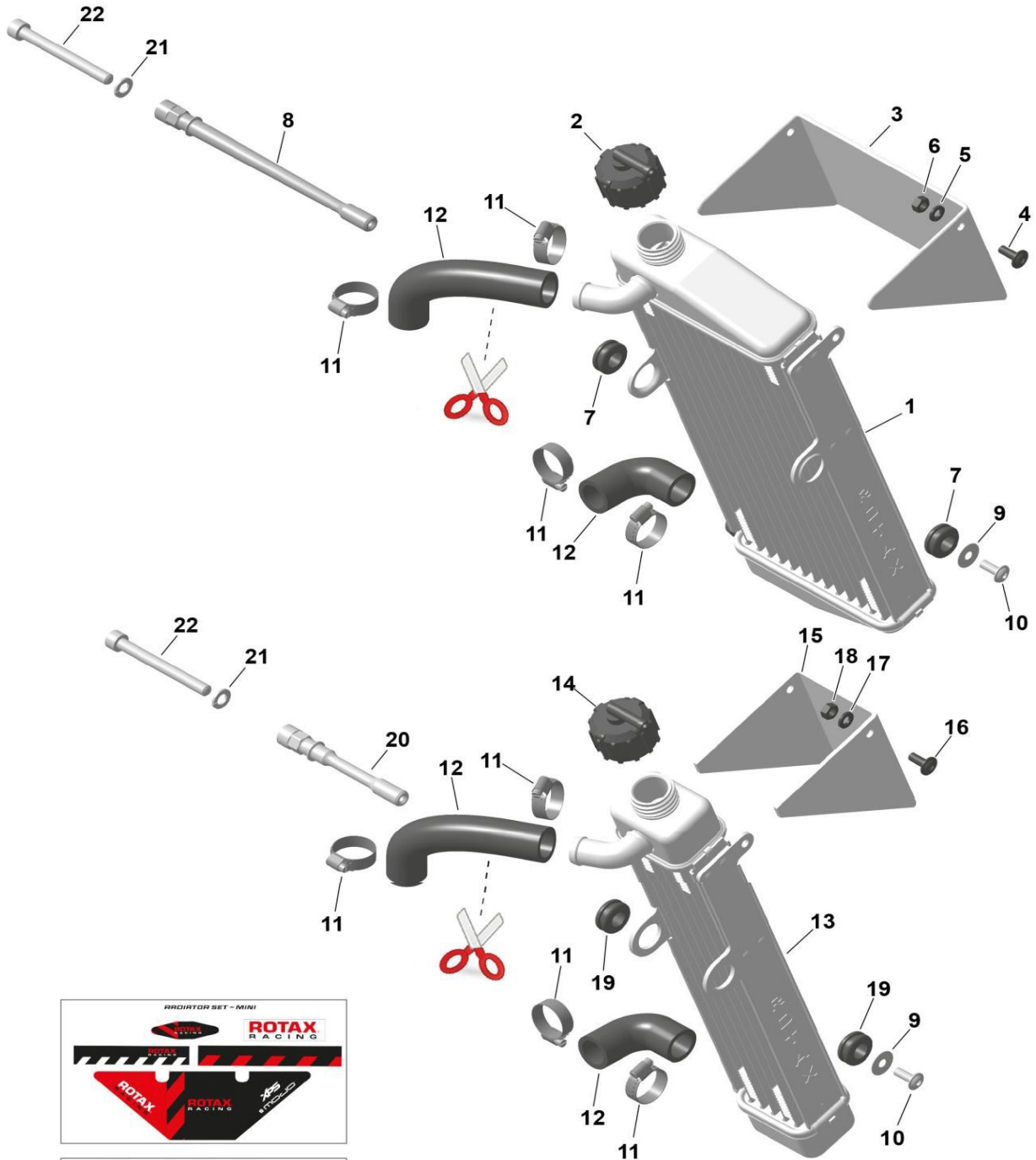
ITEM#	PART#	DESCRIPTION		
01	295060	DELL'ORTO CARBURETOR VHSB 34 XS MAX	338,90	413,46
02	262031	CARBURATOR SLIDE 45	96,35	117,55
03	261192	JET NEEDLE K 57 Standard	9,52	11,61
04	245630	CLIP	1,24	1,51
05	261270	NIPPLE SCREW	10,59	12,92
06	239885	THROTTLE VALVE SPRING	6,76	8,25
07	261427	CARBURETOR COVER WITH BENT TUBE ASSY.	20,34	24,81
08	XXX	RUBBER GROMMET SMALL Use throttle cable fixation kit 268040		0,00
09	XXX	HEX.NUT M6x0.75 Use throttle cable fixation kit 268040		0,00
10	XXX	ADJUSTMENT SCREW M6x0.75 Use throttle cable fixation kit 268040		0,00
11	XXX	RUBBER GROMMET BIG Use throttle cable fixation kit 268040		0,00
12	XXX	GASKET Use gasket kit 293834		0,00
13	262042	NEEDLE JET DP 267	23,53	28,71
14	261550	MAIN JET CUP	3,62	4,42
15	281471	MAIN JET KIT 145-148-150-152-155-158	19,90	24,28
15	281470	MAIN JET KIT 160-162-165-168-170-172	19,90	24,28
15	281473	MAIN JET KIT 132-135-138-140-142	16,63	20,29
15	282991	MAIN JET KIT 105 - 120 Recommended for MICRO / MINI category	50,69	61,84
15	281472	MAIN JET KIT 175-178-180-182-185-188	19,90	24,28
15	281479	MAIN JET KIT 124 - 134 Recommended for JUNIOR / SENIOR category	36,96	45,09
15	281474	MAIN JET KIT 190-192-195-198-200	16,63	20,29
15	281479	MAIN JET KIT 124 - 134	36,96	45,09
16	281885	IDLE JET INSERT SET Optional	19,14	23,35
17	281882	IDLE JET KIT 30-35-40-45-50-55-60 Optional	19,14	23,35
18	261895	STARTING JET 60	4,93	6,01
19	261880	NEEDLE VALVE 150	26,45	32,27
20	XXX	GASKET Use gasket kit 293834		0,00
21	261290	FLOAT BRACKET	14,82	18,08
22	229271	FLOAT PIN	3,88	4,73
23	268030	FLOAT 5.2 GR. Optional	12,25	14,95
23	268032	FLOAT 4.0 GR. Standard	12,25	14,95

9 CARBURETOR, CARBURETOR ACCESSORIES

ITEM#	PART#	DESCRIPTION		
23	268031	FLOAT 3.6 GR. Optional	12,25	14,95
24	XXX	GASKET Use gasket kit 293834		0,00
25	XXX	FLOAT CHAMBER Not available as spare part		0,00
26	XXX	GASKET Use gasket kit 293834		0,00
27	261373	PLUG SCREW	6,73	8,21
28	845312	LOCK WASHER VHZ 5	0,42	0,51
29	262020	ALLEN SCREW M5X20	1,06	1,29
30	XXX	COMPRESSION SPRING Use adjustment screw kit 268044		0,00
30	268044	ADJUSTMENT SCREW KIT Ill. no. 30-31	5,28	6,44
31	XXX	ADJUSTMENT SCREW Use adjustment screw kit 268044		0,00
32	268042	FUEL SIEVE KIT Ill. no. 32-34	12,94	15,79
32	XXX	FUEL SIEVE Use fuel sieve kit 268042		0,00
33	XXX	GASKET Use gasket kit 293834 or 268042		0,00
34	XXX	PLUG SCREW Use fuel sieve kit 268042		0,00
35	XXX	COMPRESSION SPRING Not available as spare part		0,00
36	XXX	ADJUSTMENT SCREW Not available as spare part		0,00
37	XXX	GASKET Use gasket kit 293834		0,00
38	261915	CHOKE LEVER ASSY.	31,06	37,89
39	240505	COUNTERSUNK SCREW M4.5X10	3,41	4,16
40	240184	ALLEN SCREW M5X20 With hole for sealing the carburettor	3,35	4,09
41	261030	CARBURETOR PLUG SCREW	20,96	25,57
42	230890	O RING 17-2.5	1,32	1,61
43	293834	GASKET SET For carburettor	14,73	17,97
44	268040	THROTTLE CABLE FIXATION KIT	8,82	10,76
45	994487	FUEL PUMP	49,10	59,90
45	994483	MIKUNI-FUEL PUMP	43,23	52,74
46	296165	GASKET SET FUEL PUMP	15,21	18,56
47	297122	CABLE BOWDEN ASSY. THROTTLE	10,35	12,63

9 CARBURETOR, CARBURETOR ACCESSORIES				
ITEM#	PART#	DESCRIPTION		
48	274161	FUEL FILTER WITH ROTAX PRINT	6,62	8,08
49	260260	AIR VENT HOSE 160 mm +/- 1 mm	3,41	4,16
50	974562	TUBE A5X8/2500 MM	14,32	17,47
51	570910	TUBE 5X8 MM / 50M ROLL ROTAX PRINTED Optional	232,96	284,21
52	281822	CARBURETOR INSERT KIT 8.5 Optional	85,42	104,21
53	267536	INTAKE RESTRICTOR Carburetor Restrictor	11,87	14,48
54	296167	GASKET SET FUEL PUMP DELLORTO	30,64	37,38

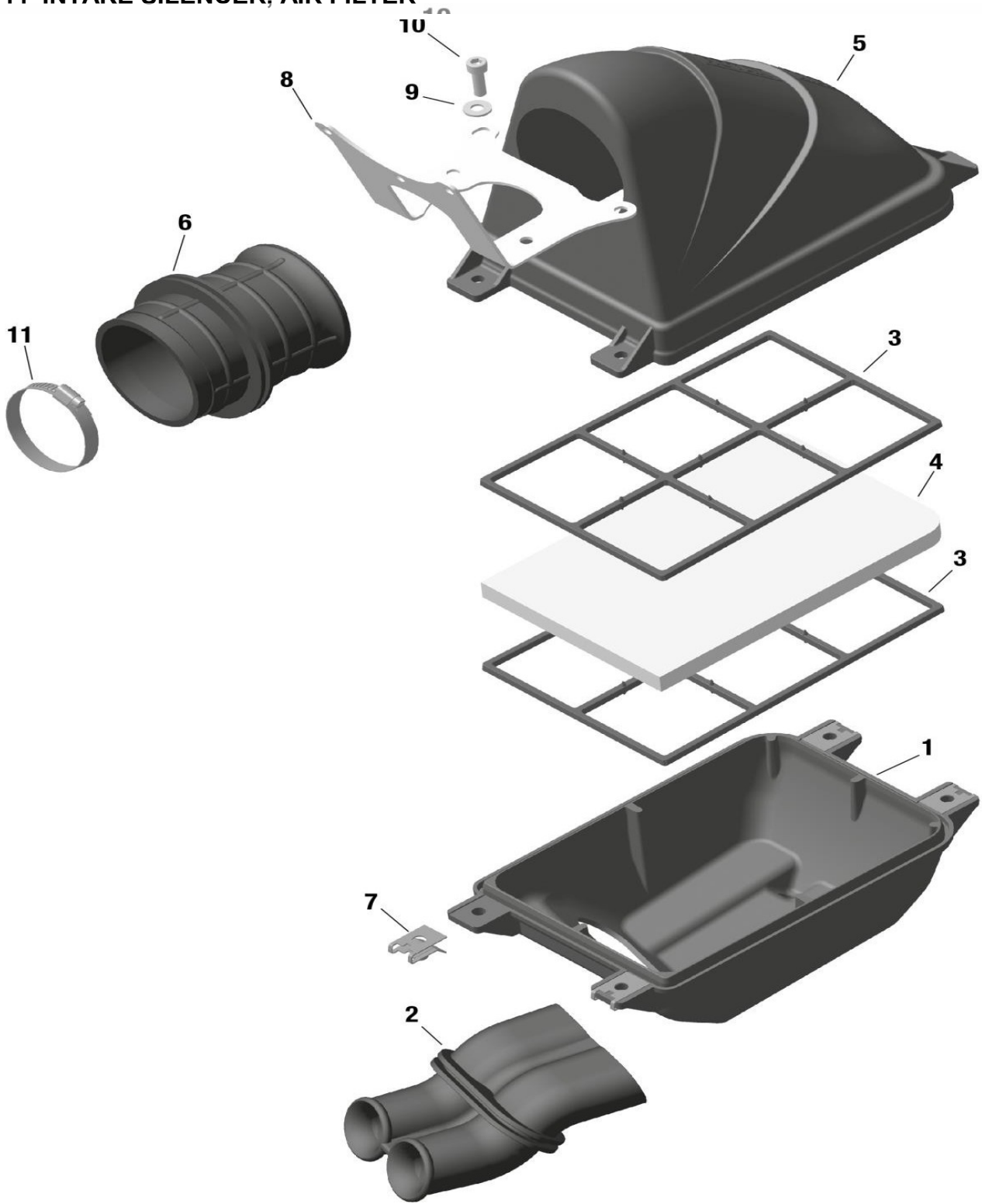
10 RADIATOR, RADIATOR ACCESSORIES



10 RADIATOR, RADIATOR ACCESSORIES

ITEM#	PART#	DESCRIPTION		
01	295928	RADIATOR WITH CAP ASSY. Ill. no. 1-6	281,16	343,02
02	222750	RADIATOR CAP WITH GASKET 1.0 BAR	21,54	26,28
03	201220	RADIATOR FLAP JUN / MAX	27,65	33,73
04	440751	ALLEN SCREW W. ROUNDED FLANGE HEAD	0,78	0,95
05	244211	WASHER 6.4 DIN 134	0,17	0,21
06	842041	LOCK NUT M6 - 6.6	0,34	0,41
07	660440	RUBBER GROMMET	1,51	1,84
08	651690	RADIATOR BRACKET	20,34	24,81
09	827307	WASHER 6.2/18/0.5	0,80	0,98
10	440761	ALLEN SCREW W. ROUNDED FLANGE HEAD	0,78	0,95
11	951870	CLAMP 16-25	2,04	2,49
12	222746	COOLING-WATER HOSE NW 18	8,19	9,99
13	295923	RADIATOR WITH CAP ASSY. Ill. no. 12-17	153,88	187,73
14	222750	RADIATOR CAP WITH GASKET 1.0 BAR	21,54	26,28
15	201222	RADIATOR FLAP MICRO	27,65	33,73
16	440751	ALLEN SCREW W. ROUNDED FLANGE HEAD	0,78	0,95
17	244211	WASHER 6.4 DIN 134	0,17	0,21
18	842041	LOCK NUT M6 - 6.6	0,34	0,41
19	660440	RUBBER GROMMET	1,51	1,84
20	651695	RADIATOR BRACKET	17,10	20,86
21	945832	LOCK WASHER DIN 128-A8-FST	0,11	0,13
22	841832	ALLEN SCREW ISO 4762 - M8x75 - 8.8 Tightening torque 24 Nm	0,59	0,72
23	582922	RADIATOR STICKER 125 MAX EVO	5,29	6,45
23	582920	RADIATOR STICKER 125 MICRO MAX EVO	4,12	5,03

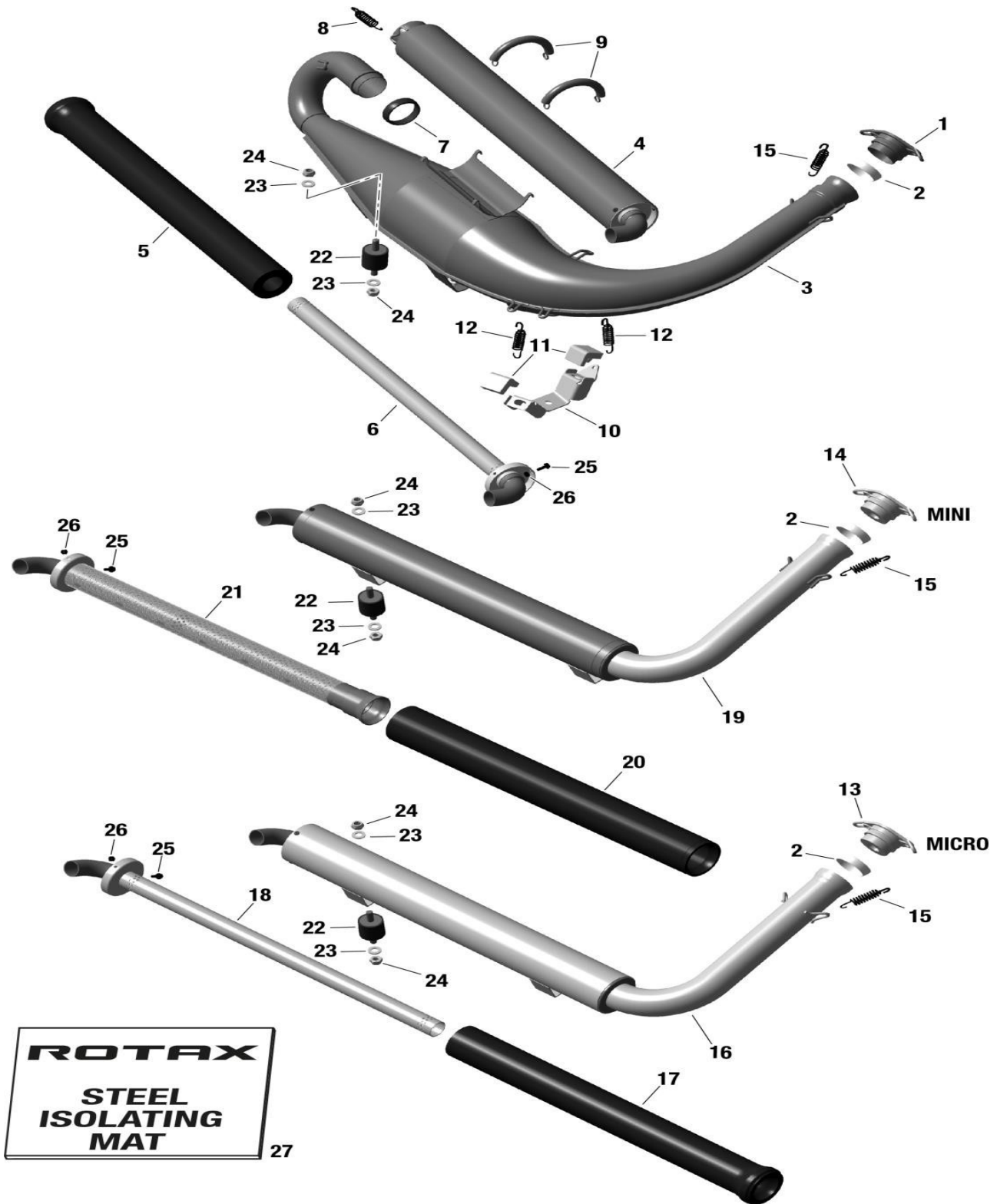
11 INTAKE SILENCER, AIR FILTER



11 INTAKE SILENCER, AIR FILTER

ITEM#	PART#	DESCRIPTION		
01	225015	INTAKE SILENCER CASE. BOTTOM	17,85	21,78
02	225041	INTAKE SILENCER TUBE	22,43	27,36
03	225061	HOLDER FOR FILTER ELEMENT	4,56	5,56
04	225053	FILTER ELEMENT	11,08	13,52
05	225025	INTAKE SILENCER CASE. TOP	24,84	30,30
06	225031	CARBURETOR SOCKET	12,42	15,15
07	242141	SHEET NUT M6	1,31	1,60
08	251720	SUPPORT BRACKET FOR MIKUNI FUEL PUMP ONLY	12,98	15,84
08	251719	SUPPORT BRACKET FOR MIKUNI & DELLORTO FUEL PUMP	12,98	15,84
09	244211	WASHER 6.4 DIN 134	0,17	0,21
10	241935	ALLEN SCREW ISO 4762 - M6x20 - 8.8 Tightening torque 6-8 Nm	0,34	0,41
11	951791	CLAMP 50-70	3,13	3,82

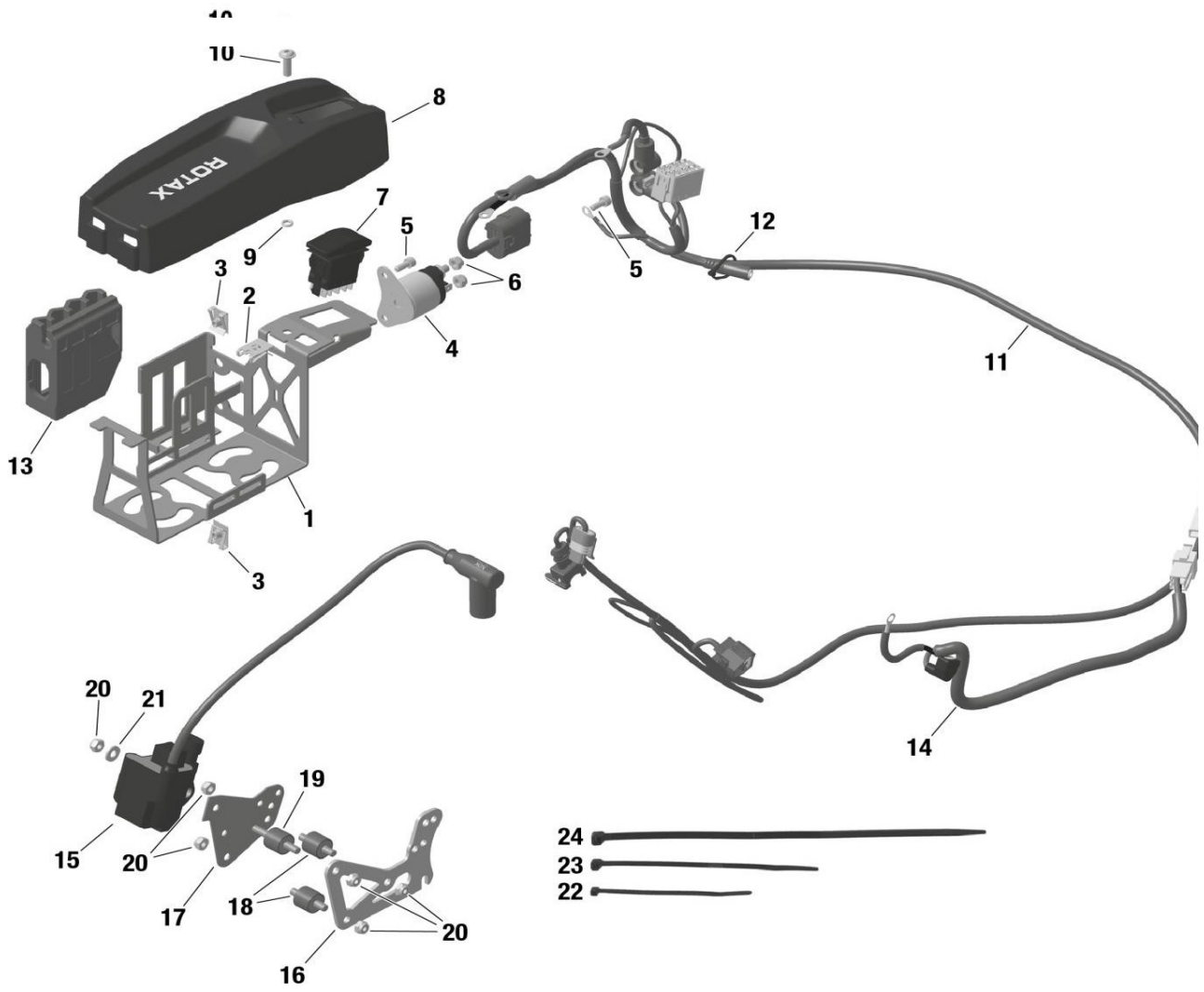
12 EXHAUST SYSTEM



12 EXHAUST SYSTEM

ITEM#	PART#	DESCRIPTION		
01	XXX	EXHAUST SOCKET ASSY. See Chap. 3		0,00
02	XXX	EXHAUST GASKET See Chap. 3		0,00
03	273200	MUFFLER ASSY.	219,89	268,27
03	273078	EXHAUST SYSTEM Ill. no. 3-9	346,87	423,18
04	273220	SILENCER ASSY. Ill. no. 4-6	144,86	176,73
05	297982	ISOLATING MAT	11,16	13,62
06	273210	PERFORATED TUBE ASSY.	41,16	50,22
07	450360	EXHAUST GASKET	11,41	13,92
08	938798	SPRING STAINLESS	4,59	5,60
09	238945	TENSION SPRING	3,41	4,16
10	651071	RETAINING PLATE	26,33	32,12
11	201720	RUBBER BUFFER	4,47	5,45
12	938798	SPRING STAINLESS	4,59	5,60
13	273192	EXHAUST SOCKET	30,68	37,43
14	273196	EXHAUST SOCKET 22 MM	30,68	37,43
15	938798	SPRING STAINLESS	4,59	5,60
16	273136	MUFFLER ASSY. Ill. no. 16-18	201,07	245,31
17	297982	ISOLATING MAT	11,16	13,62
18	273212	PERFORATED TUBE ASSY. COVER WITH ELBOW	45,50	55,51
19	273138	MUFFLER ASSY. Ill. no. 19-21	222,24	271,13
20	297985	ISOLATING MAT	9,89	12,07
21	273213	PERFORATED TUBE ASSY. COVER WITH ELBOW	74,05	90,34
22	660920	RUBBER BUFFER 30X30XM8	6,87	8,38
23	250313	WASHER 8.4 STAINLESS STEEL	0,45	0,55
24	942031	LOCK NUT DIN 985-M8-8.8	0,72	0,88
25	440292	ALLEN SCREW ISO 4762 - M4x12 - 8.8 optional	0,57	0,70
26	242538	LOCK NUT DIN 985-M4-A2 optional	0,82	1,00
27	297983	ISOLATING MAT STEEL WITH TIE WRAP optional	24,32	29,67

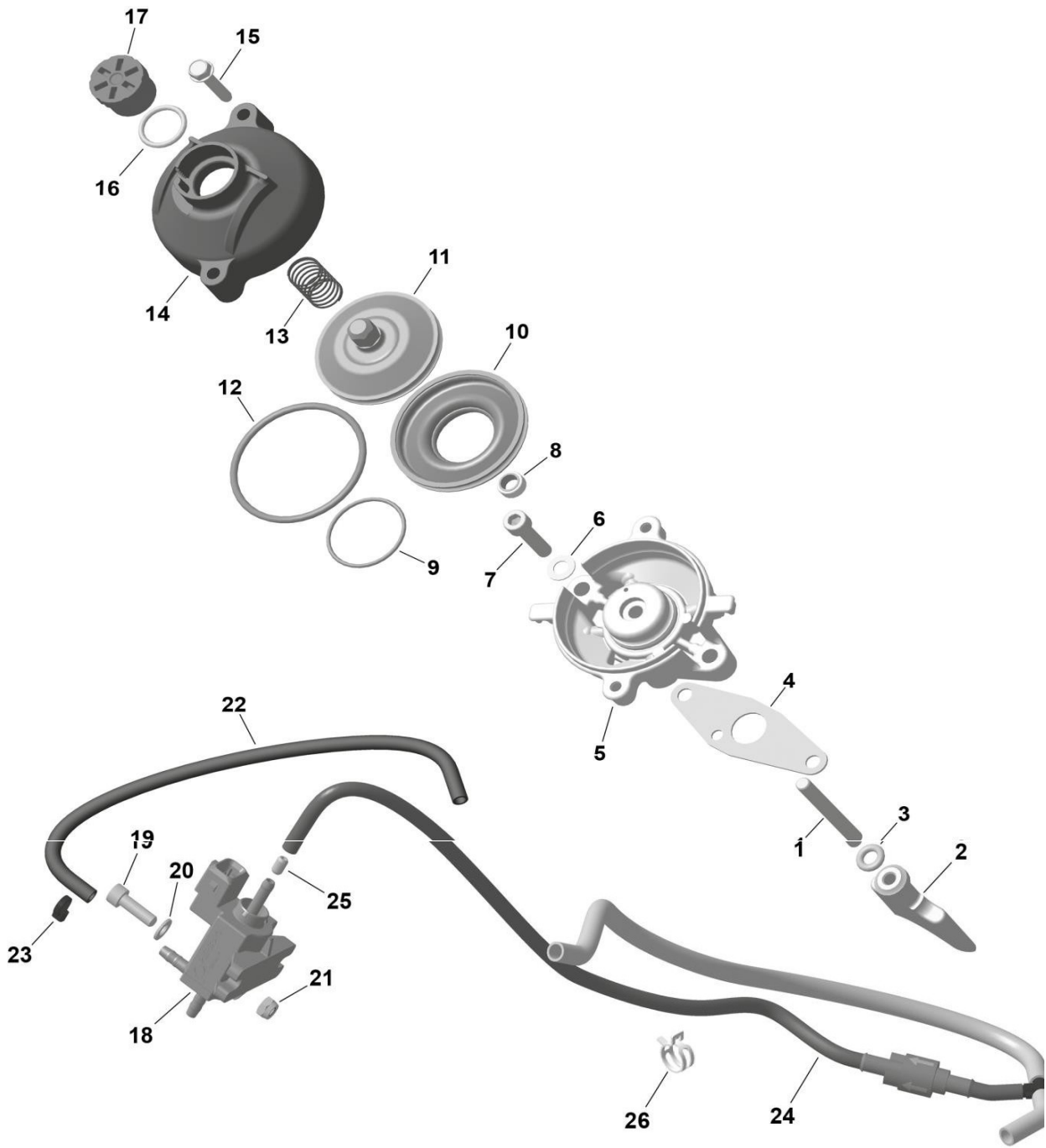
13 EVO UPGRADE KIT IGNITION



13 EVO UPGRADE KIT IGNITION

ITEM#	PART#	DESCRIPTION		
01	251124	BATTERY CLAMP EVO ASSY. Ill. no. 1-13	292,79	357,20
02	XXX	SHEET NUT M6 See Chap. 06		0,00
03	XXX	SHEET NUT M5 See Chap. 06		0,00
04	XXX	STARTER RELAY ASSY. See Chap. 06		0,00
05	XXX	ALLEN SCREW ISO 4762 M5x12 See Chap. 06		0,00
06	XXX	LOCK NUT M6 See Chap. 06		0,00
07	XXX	MULTIPLE FUNCTION SWITCH See Chap. 06		0,00
08	XXX	BATTERY COVER See Chap. 06		0,00
09	XXX	O-RING 5x2 See Chap. 06		0,00
10	XXX	ALLEN SCREW M6X20 See Chap. 06		0,00
11	XXX	WIRING HARNESS See Chap. 08		0,00
12	XXX	TIE WRAP 94x2.5 See Chap. 08		0,00
13	XXX	RUBBER PAD See Chap. 06		0,00
14	265532	CABLE ASSY.	13,32	16,25
15	651062	RETAINING PLATE IGNITION COIL ASSY. Ill. no. 15-24	130,51	159,22
15	666826	IGNITION COIL	89,81	109,57
16	651935	RETAINING PLATE	14,86	18,13
17	651925	MOUNTING PLATE	9,52	11,61
18	660522	RUBBER BUFFER 18X15XM6	5,93	7,23
19	660520	RUBBER BUFFER 18X15XM6	5,93	7,23
20	842041	LOCK NUT M6 - 6.6	0,34	0,41
21	244211	WASHER 6.4 DIN 134	0,17	0,21
22	866718	TIE WRAP 94x2.5 MM	0,07	0,09
23	866714	TIE WRAP 142x3.2 MM	0,09	0,11
24	651397	TIE WRAP 250X4.8 MM	0,20	0,24

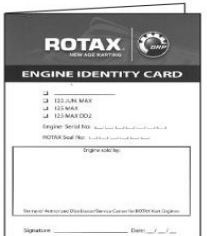
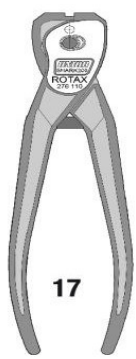
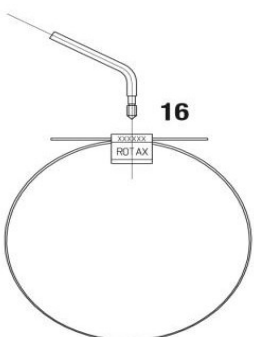
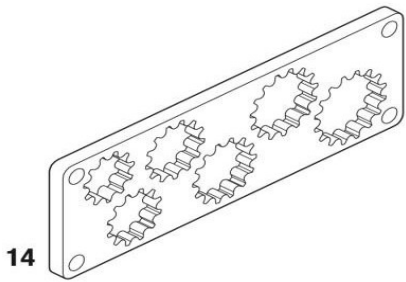
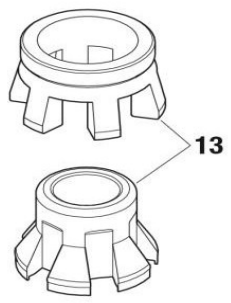
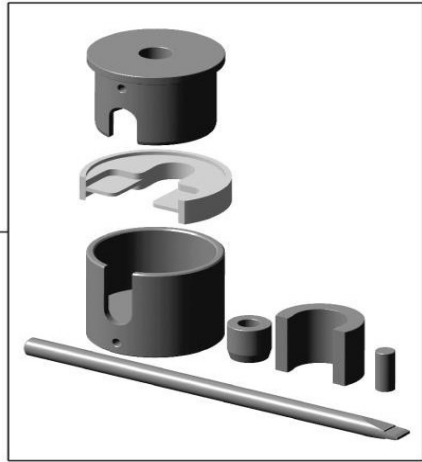
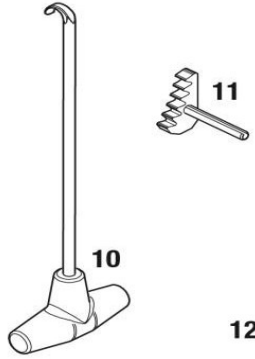
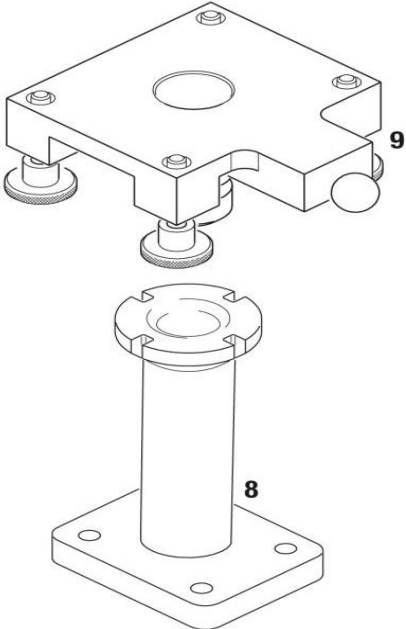
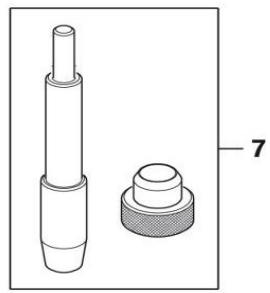
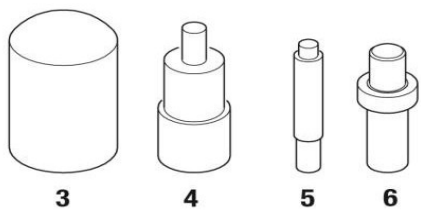
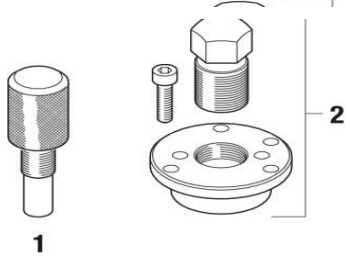
14 EVO UPGRADE KIT E-RAVE



14 EVO UPGRADE KIT E-RAVE

ITEM#	PART#	DESCRIPTION		
01	441358	STUD M6X52.5 MK	5,02	6,12
01	481260	EVO UPGRADE KIT E-EXHAUST VALVE Ill. no. 1-25	184,59	225,20
02	253725	EXHAUST VALVE	27,65	33,73
02	253721	EXHAUST VALVE revised - coated	28,56	34,84
03	230261	O-RING DIN 3771-6X2.5 NBR 70 RED	1,73	2,11
04	250232	GASKET	2,84	3,46
05	253385	VALVE ROD HOUSING KPL.	47,79	58,30
06	845020	SPRING WASHER B6	0,11	0,13
07	840866	ALLEN SCREW ISO 4762 - M6x25 - 8.8	0,42	0,51
08	930500	OIL SEAL 6X11X3/4.5	4,11	5,01
09	838255	HOSE SPRING 70-1.7-0.3	1,56	1,90
10	260723	BELLOW	13,65	16,65
11	854440	EXHAUST VALVE PISTON	14,21	17,34
12	939280	HOSE SPRING 134-3.0-0.65	0,00	0,00
13	239952	COMPRESSION SPRING 48.5/0.8 MM	3,53	4,31
14	911559	VALVE COVER	15,01	18,31
15	241271	TAPTITE-SCREW M5X25	0,73	0,89
16	430220	O-RING 15.9-2.3	0,73	0,89
17	241220	ADJUSTMENT SCREW	7,65	9,33
18	664630	SOLENOID VALVE	27,68	33,77
19	840514	ALLEN SCREW ISO 4762 - M5x16 - 8.8	0,34	0,41
20	927574	WASHER 5.3 DIN 125	0,11	0,13
21	842032	LOCK NUT M5-6.6	0,34	0,41
22	660574	PRESSURE LINE 280 MM	1,99	2,43
23	866718	TIE WRAP 94x2.5 MM	0,07	0,09
24	651013	HOSE PACKAGE RAVE CONTROL UNIT Ill. no. 24-25	43,01	52,47
25	956305	IMPULSE NOZZLE	3,59	4,38
26	251978	SPRING TYPE CLAMP 10	1,01	1,23

15 REPAIR TOOLS

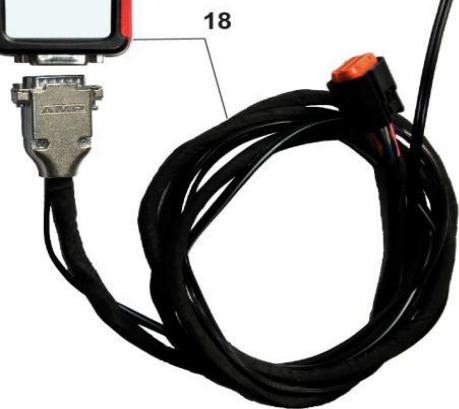
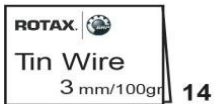
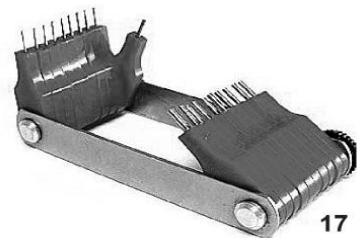
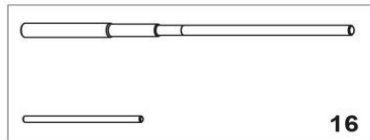
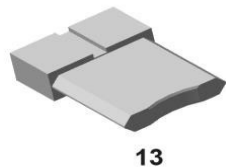
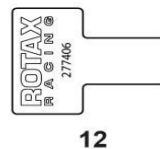
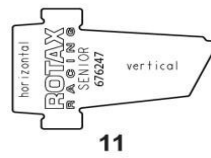
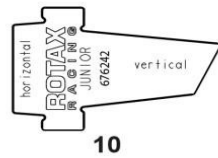
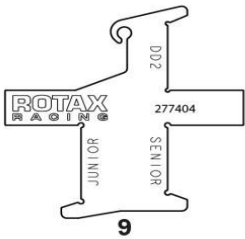
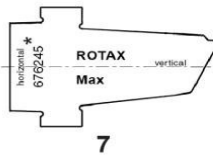
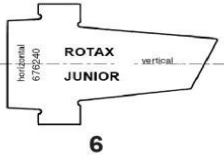
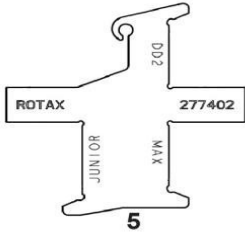
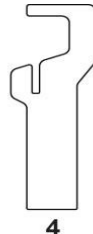
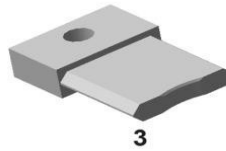
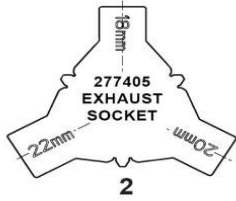
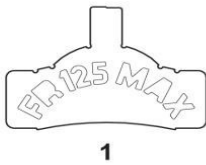


18

15 REPAIR TOOLS

ITEM#	PART#	DESCRIPTION		
01	277381	FIXATION TOOL FOR CRANKSHAFT For blocking the crankshaft	20,79	25,36
02	276016	PULLER ASSY. For starter gear assy.	71,89	87,71
03	676010	INSERTION SLEEVE For oil seals of crankshaft	29,22	35,65
04	676021	INSERTION JIG For water pump seals	20,88	25,47
05	676030	INSERTION JIG For needle bushing of E-starter	16,25	19,83
06	676040	INSERTION JIG For plain bearing. Sprocket 11 teeth	30,30	36,97
07	676035	INSERTION TOOL For installation of piston pin circlips	48,72	59,44
08	877930	TRESTLE SUPPORT	286,18	349,14
09	676052	FIXING PLATE FOR ENGINE For ROTAX engine types 100 and 125 MAX	333,70	407,11
10	251680	SPRING HOOK For exhaust springs	14,11	17,21
11	676205	FIXATION TOOL ASSY. MAX	13,21	16,12
12	276052	CRANKSHAFT REPAIR JIG	1.676,54	2045,38
13	276070	ASSEMBLY TOOL BELLOW SPRING EXHAUST V.	56,69	69,16
14	277364	FIXATION. TOOL FOR SPROCKET	25,62	31,26
15	676110	WRENCH ADAPTER 11/8	13,93	16,99
16	297041	ROTAX-SEAL WITH BARCODE BLACK With registered serial no. For authorised distributors only	3,22	3,93
17	276110	ROTAX SEAL CALLIPER For authorised distributors only	54,67	66,70
18	297240	ENGINE IDENTITY CARD For authorised distributors only	0,46	0,56

16 SCRUTINEERING TOOLS



16 SCRUTINEERING TOOLS

ITEM#	PART#	DESCRIPTION	
01	277390	COMBUSTION CHAMBER INSERT TEMPLATE For authorised distributors only	6,51
02	277405	EXHAUST SOCKET TEMPLATE	26,46
03	277030	EXHAUST VALVE GAUGE	47,78
04	277400	CONTROL TEMPLATE CARBURETOR VHSB34	14,26
05	277402	EXHAUST PORT HEIGHT TEMPLATE	25,91
06	676240	EXHAUST PORT TEMPLATE	18,93
07	676245	EXHAUST PORT TEMPLATE MAX	23,40
08	277391	GAUGE CRANKSHAFT	13,32
09	277404	EXHAUST PORT HEIGHT TEMPLATE	29,26
10	676242	EXHAUST PORT TEMPLATE	32,63
11	676247	EXHAUST PORT TEMPLATE	32,63
12	277406	PICKUP SENSOR HOLE GAGE	28,13
13	277032	EXHAUST VALVE GAUGE	47,78
14	580132	TIN WIRE 3 MM-100 GR	5,29
15	580130	TIN WIRE 2 MM-100 GR	5,29
16	676034	FITTING MANDREL VENTURI	49,79
17	281920	JET GAUGE SET 0.45 - 1.50 MM	15,84
18	276233	ECU tester For Dellorto ECU	573,02
19	276231	WIRING HARNESS TESTER	191,12

17 ACCESSORIES



2



1



3



4



6

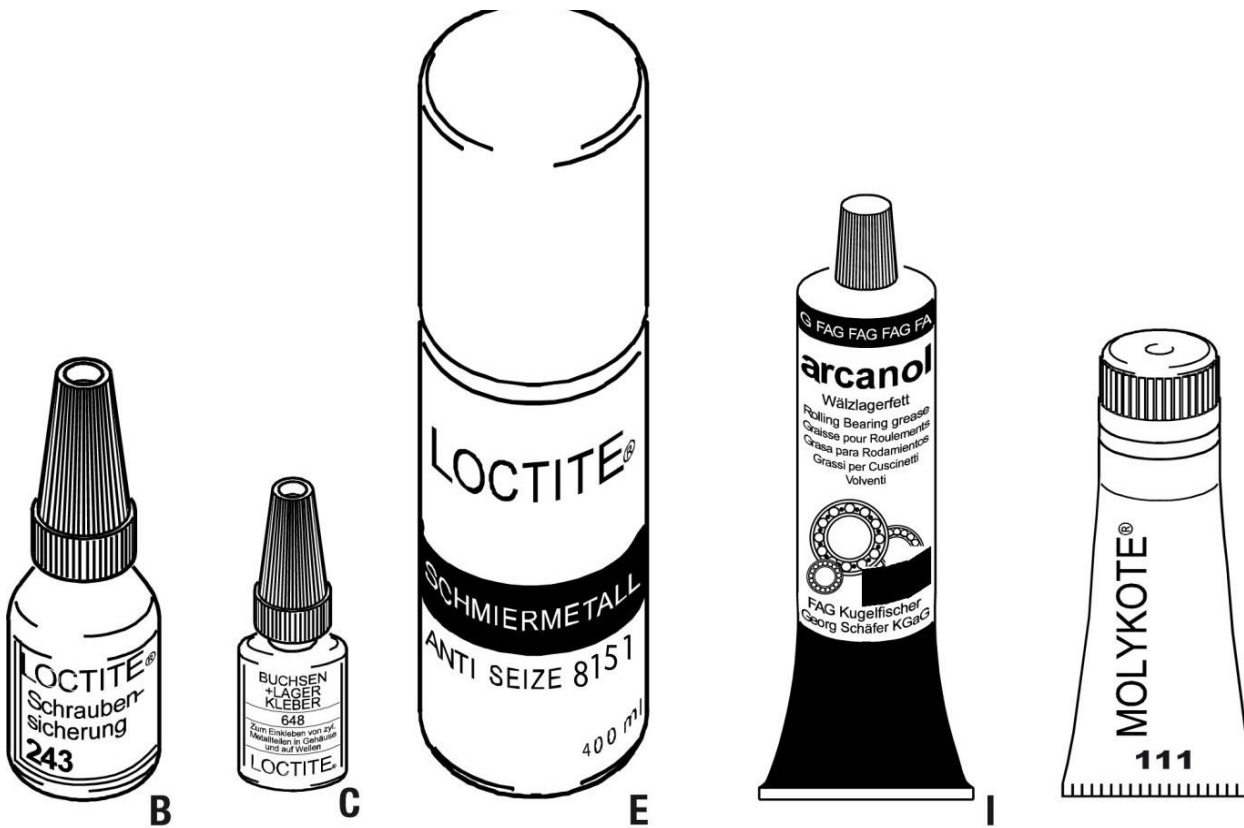


5

17 ACCESSORIES

ITEM#	PART#	DESCRIPTION	
01	276103	DIGITAL TIRE PRESSURE GAUGE	
02	581381	DIGITAL HOURMETER ROTAX	
03	581387	SYRINGE 50 ML	
04	276220	JET HOLDER ROTAX	
05	282142	FOLDABLE BOX 312X245X360	
06	259800	ROTAX TRAX DEVICE	

18 SERVICE PRODUCTS



18 SERVICE PRODUCTS

ITEM#	PART#	DESCRIPTION	
01	897651	LOCTITE 243 BLUE. 10 CC. Illustration letter B	14,82
02	899788	LOCTITE 648 GREEN. 5 CC Illustration letter C	14,00
03	297438	LOCTITE ANTI SEIZE 8151 400 ML Illustration letter E	45,02
04	897330	LITHIUM-BASE GREASE. 250 GR.. Illustration letter I	30,21
05	897161	MOLYKOTE 111. 100 GR Illustration letter K	76,24